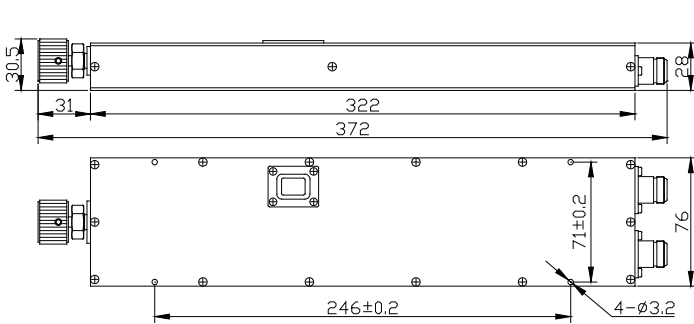
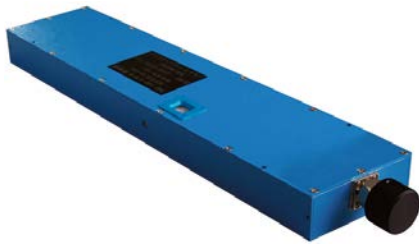
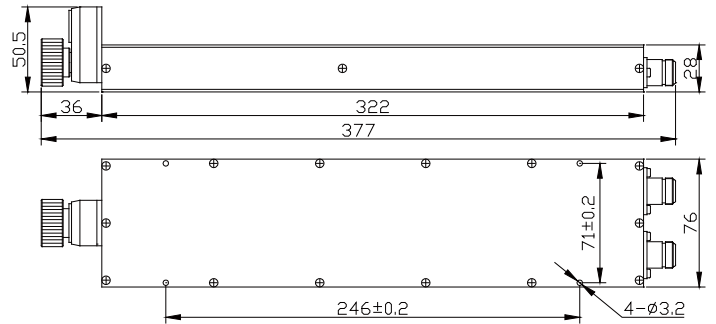


Model TKE-180-4-X-X 180°/GHz DC-4GHz 100 Watts



Analog



Digital

Phase shifters are used to continuously transform the delay of signal and adjust phase of measure system in RF transmission system and mainly used in phase-controlled antenna array radar.

TKE-180-4-X-X phase shifters' average power 100W, frequency range DC-4GHz, adjustable phase 180°per GHz and totally 720° phase adjustable.

MECHANICAL SPECIFICATIONS

Connectors	Female Pin	Housing	Temp Range	Dimensions	Weight
Brass Nickel Plated	Beryllium Copper Gold Plated	Aluminum, Blue Spray Painting	Operating: -10°C~+50°C Non-operating: -40°C~+70°C	Analog: 372×76×30.5mm Digital: 377×76×50.5mm	795g

RoHS Compliant: Yes

ELECTRICAL SPECIFICATIONS

Model Number	Frequency Range(GHz)	Max VSWR	Insertion Loss(dB)	Phase Adjustment
TKE-180-1-X-X	DC-1	1.40	≤1.0	0~180°@1GHz
TKE-180-2-X-X	DC-2	1.50	≤1.5	0~360°@2GHz
TKE-180-3-X-X	DC-3	1.50	≤1.75	0~540°@3GHz
TKE-180-4-X-X	DC-4	1.50	≤2.0	0~720°@4GHz

Notes: The first X refer to connector type, the second X refer to display mode.(A: Analog; D: Digital)

NOMINAL IMPEDANCE: 50Ω

AVERAGE POWER: 100W

PEAK POWER: 5KW (5μs pulse width with 2% duty cycle)

CONNECTOR TYPE: N(F,F), SMA(F,F)

READING: Analog: Phase(°) = actual readout × 2.4° × frequency range(GHz) Adjustable Range 0-75

Digital: Phase(°) = actual readout × 0.024° × frequency range (GHz) Adjustable Range 0-7500

Notes:

1. Dimensions Tolerance ±3%
2. Dimensions and specifications refer to connector type N unless otherwise specified.