

Model GKTSBPS0.1-6-360-28-K

6bit 360 °



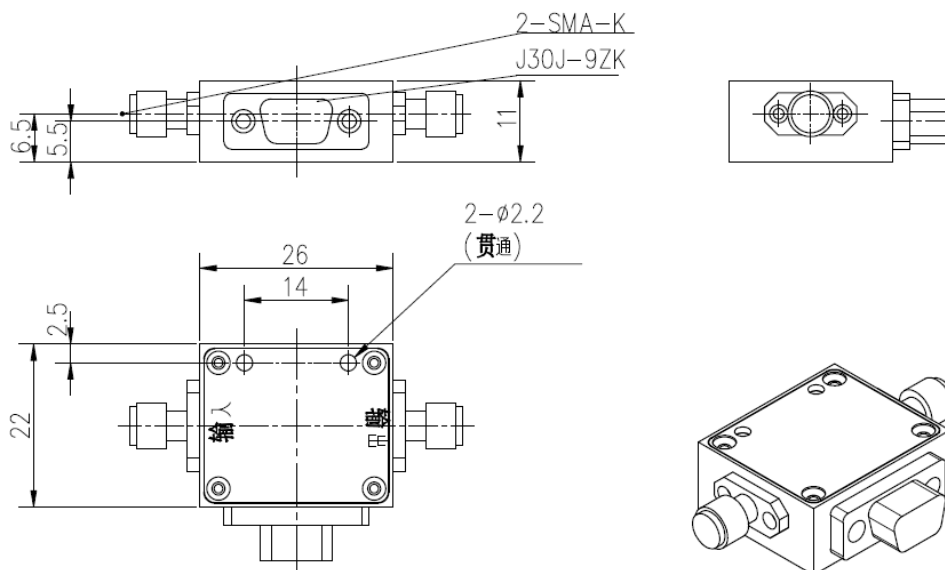
Features:

- Frequency Range 26.5-29.5GHz,
- Specially Design for 5G Communication
- 6Bit 360°Adjustable
- TTL Positive Control
- Switching Speed ns level
- Custom Designs Available

1. ELECTRICAL SPECIFICATIONS

Description	Min	Typ	Max	Min	Typ	Max	Units
Frequency Range	26		28	28		29.5	GHz
Insertion Loss		-8.5	-9.5		-9.5	-10.5	dB
Phase Range	360						°
Phase Accuracy(RMS)	<4						°
Control Step Size	5.625						°
Input VSWR		1.7	1.8		1.7	1.8	
Output VSWR		1.8	2		1.7	1.8	
Switching Speed	<400						ns
Weight	20						g
Impedance	50						Ω
Bias Current(+5V/-5V)	<5						mA
Input/Output Connectors	2.92mm-Female						
Control Interface	J30J-9ZK						
Dimensions	26*22*11						mm

2. OUTLINE DRAWING:



3. ABSOLUTE MAXIMUM RATINGS

Voltage Type	Description	Value
Biasing	VCC	+5V±10%
	VEE	-5V±10%
Control Voltage	low	0~0.8V@1uA
	High	+2~+5V@1uA

4. ENVIRONMENTAL SPECIFICATIONS

Description	Value
Max Input Power Pin	+15 dBm
Max Bias Voltage	+5V±10%
Operational Temperature	-45°C~+85°C
Storage Temperature	-55°C~+125°C

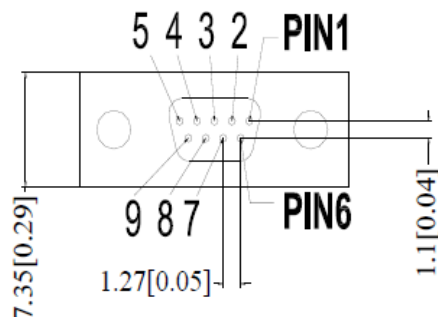
5. INTERFACE DESCRIBE

Interface No.	Description
RF1、RF2	RF input/output Port, match 50Ω
C1~C6	Phase control (TTL electrical level)
+5V	Bias Voltage
-5V	Bias Voltage
GND	GND

6. TRUTH TABLE

Control Voltage Input						Phase Shift Degree
C6	C5	C4	C3	C2	C1	
0	0	0	0	0	0	Reference
0	0	0	0	0	1	5.625°
0	0	0	0	1	0	11.25°
0	0	0	1	0	0	22.5°
0	0	1	0	0	0	45°
0	1	0	0	0	0	90°
1	0	0	0	0	0	180°
1	1	1	1	1	1	354.375°

7. PIN DIFINITION



MICRO-D9(Female)								
1	2	3	4	5	6	7	8	9
C1	C2	C3	C4	C5	C6	GND	+5V	-5V