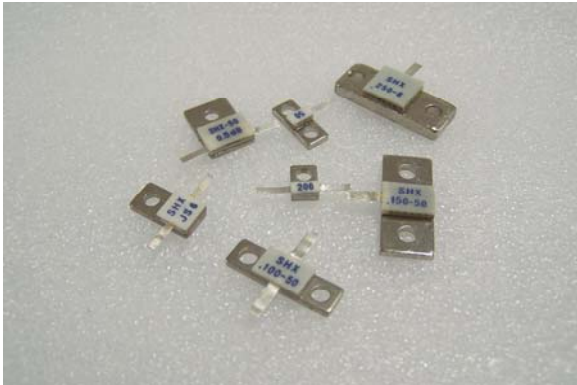


Integrated Attenuators & Resistors



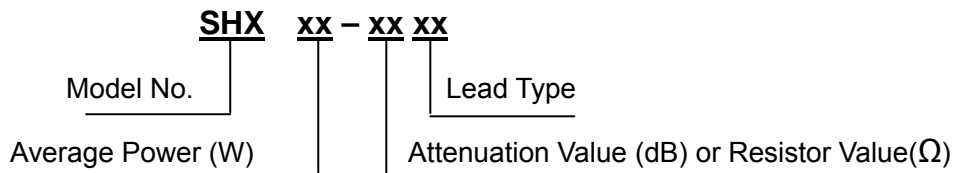
- ◇ DC-4GHz, 10-250W
- ◇ 0-20dB with Flatness Attenuation Accuracy
- ◇ Resistor Value 0.5-20000Ω,
Standard Value 50~100Ω
- ◇ Low VSWR, High Reliability and Stability
- ◇ Flange or Flangeless Mount
- ◇ Custom Designs Available

Description

Integrated attenuators are used to control the power of microwave signals and are installed in machines or sealed in microwave circuit, it is small with high accuracy and high stability.

High power resistors are used as balance resistors on allotter or as absorption edge in hybrid and coupler. They feature broadband frequency, low VSWR, excellent capacity in anti-pulse and anti-burnout etc.

Order Information



Please confirm with us the main parameters of integrated attenuators & resistors such as average power, attenuation value(or resistor value), frequency range, lead type and dimensions Type, or your special demand.

Integrated Attenuators

Integrated Attenuators...10W-100W DC-4GHz

Model Number	Average Power (W)	Frequency Range(GHz)	VSWR	Attenuation Value & Accuracy (dB)	Dimensions (mm)	Page No	Pictures
SHX10-XX-JS	10	DC-4	≤1.35	0.5-9dB±0.5dB 10-20dB±1dB	5×7.6×3.6	15-6	
SHX20-XX-JS	20	DC-4	≤1.5	0.5-9dB±0.5dB 10-20dB±1dB	13.1×6.4×3.6	15-6	
SHX50-XX-JS	50	DC-4	≤1.5	0.5-9dB±0.5dB 10-20dB±1dB	20.3×5.7×3.6	15-7	
SHX50L-XX-JS	50	DC-3	≤1.5	0.5-9dB±0.5dB 10-20dB±1dB	20.8×6.4×3.6	15-7	
SHX50G-XX-JS	50	DC-3	≤1.5	0.5-9dB±0.5dB 10-20dB±1dB	24.8×9.5×5.0	15-8	
SHX100-XX-JS	100	DC-2.5	≤1.4	0.5-9dB±0.5dB 10-20dB±1dB	24.8×9.5×5.0	15-8	
SHX150-XX-JSA	150	DC-3	≤1.4	1-9dB±0.5dB 10-20dB±1dB	24.8×9.5×5.0	15-9	

Note: xx refer to average power in W

Custom designed for attenuation value and accuracy, attenuation accuracy in narrow band could reach ±0.2dB





High Power Resistors

High Power Resistors...10W-150W DC-6GHz

Model Number	Average Power (W)	Standard Resistance(Ω)	VSWR	Frequency Range(GHz)	Dimensions (mm)	Page No	Pictures
SHX10-50X6SF105 (SHX-10-50TV) SHX10-50X6SF115	10	50	1.3:1	DC-4 DC-6	5×7.6×3.6	15-10	
SHX10-50X6SF115 (SHX-10-50TVR) SHX10-50X6SF115	10	50	1.3:1	DC-4 DC-6	5×7.6×3.6	15-11	
SHX10-50X4SF121 (SHX10-50TVV) SHX10-50X6SF125	10	50	1.3:1	DC-4 DC-6	5×12.7×3.6	15-12	
SHX10-50X6SF131 (SHX10-50TP)	10	50	1.3:1	DC-6	8.5×4×2.8	15-13	
SHX10-50X6SF141 (SHX10-50TPN)	10	50	1.3:1	DC-6	8.5×4×2.8	15-14	
SHX10-50X6SF151 (SHX10-50TPC)	10	50	1.3:1	DC-6	8.5×4×2.8	15-15	
SHX20-50X2SF201 (SHX20-50TP) SHX20-50X4SF205	20	50	1.25:1 1.3:1	DC-2 DC-4	13.1×6.4×3.6	15-16	
SHX20-50X2SF211 (SHX20-50TPN) SHX20-50X4SF215	20	50	1.25:1 1.3:1	DC-2 DC-4	13.1×6.4×3.6	15-17	
SHX20-50X2SF221 (SHX20-50TPC) SHX20-50X4SF225	20	50	1.25:1 1.3:1	DC-2 DC-4	13.1×6.4×3.6	15-18	
SHX50-50X2SF501 (SHX50-50TCG) SHX50-50X6SF505	50	50	1.35:1	DC-2 DC-6	14.2×9.5×3.6	15-19	
SHX50-50X2SF511 (SHX50-50TCGR) SHX50-50X6SF515	50	50	1.35:1	DC-2 DC-6	14.2×9.5×3.6	15-20	
SHX100-50X2SF301 (SHX50-50TCGR) SHX100-50X6SF305	100	50	1.35:1 1.40:1	DC-2 DC-6	20.3×5.7×3.6	15-21	
SHX150-50X6SF401 (SHX150-50TG) SHX150-50X6SF405	150	50	1.45	DC-1 DC-6	22.1×9.5×3.6	15-22	

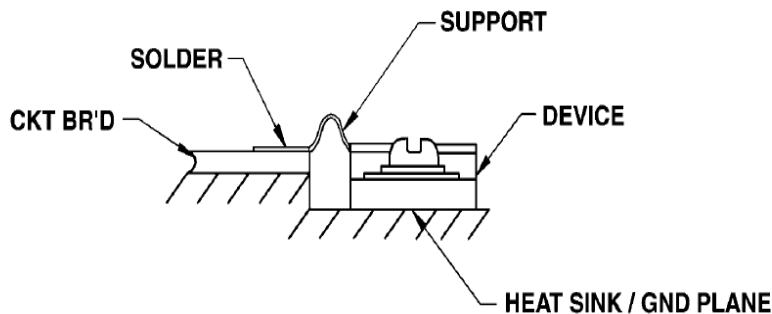
High Power Resistors

High Power Resistors...10W-250W DC-4GHz

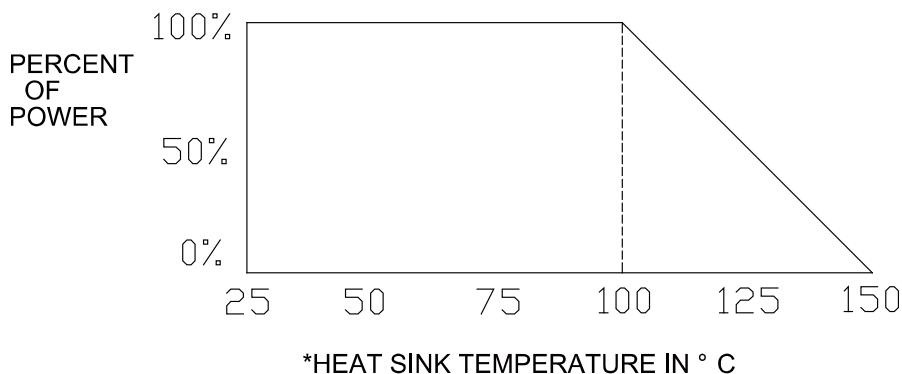
Model Number	Average Power(W)	Standard Resistance(Ω)	VSWR	Frequency Range(GHz)	Capacitance (pF)	Dimensions (mm)	Page No	Pictures
SHX250-50X1SF701 (SHX250-50TC) SHX250-50X3SF705	250	50	1.35:1 1.25:1	DC-1 DC-3	/	24.8×9.5×5	15-23	
SHX10-100XDF161 (SHX10-100RV)	10	100	/	/	0.75	7.6×5×3.6	15-24	
SHX10-100XDF171 (SHX10-100RVV)	10	100	/	/	0.75	12.7×5×3.6	15-25	
SHX10-100XDF181 (SHX10-100RP)	10	100	/	/	0.75	8.5×4×2.8	15-26	
SHX20-100XDF231 (SHX20-100RP)	20	100	/	/	0.2	13.1×6.4×3.6	15-27	
SHX50-100XDF521 (SHX50-100RCG)	50	100	/	/	0.2	14.2×9.5×3.6	15-28	
SHX100-100XDF311 (SHX100-100RL)	100	100	/	/	0.28	20.3×5.7×3.6	15-29	
SHX150-100XDF411 (SHX150-100RCG)	150	100	/	/	3.5	22.1×9.5×3.6	15-30	
SHX250-100XDF711 (SHX250-100RM)	250	100	/	/	3.5	24.8×9.5×5	15-31	

Mounting Integrated Attenuators and High Power Resistors

- 1、 The area under the device should be flat, less than 0.25mm preferred.
- 2、 The mounting surface should be free of all burrs and scratches that could cause air spaces between the flange and heat sink.
- 3、 Prior to drilling and tapping threads for the mounting screws, countersinking the locations is recommended. This operation will prevent raising the threads above the mounting surface while tapping. The heat sink can now be given a coat of thermal grease, keeping the thickness to about 0.25-0.5mm.
- 4、 The thermal grease will fill any small air spaces helping to maintain good thermal contact. Before mounting the device a small strain relief loop can be formed within the tab. When forming the strain relief loop, the tab should be supported to prevent excessive force toward the cover substrate.
- 5、 Seat the device into the thermal grease, install screws with a lock and flat washer, and torque
- 6、 Position the tab over the circuit and solder in place. Eutectic solder such as Sn63 is recommended for all solder operations.



Power Handling

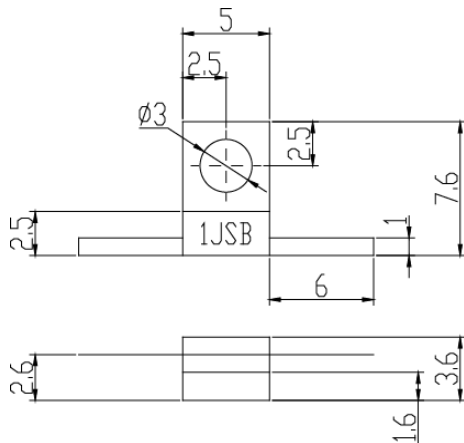


*The heat sink temperature is defined as the surface the Chip Component is attached to such as printed circuit board.

Model SHX10-XXJS

Integrated Attenuators

10Watts DC-4GHz



SPECIFICATIONS

Impedance: 50Ω

Max VSWR: ≤1.35

Attenuation Value & Accuracy:

0.5-9dB±0.5dB* 10-20dB±1dB*

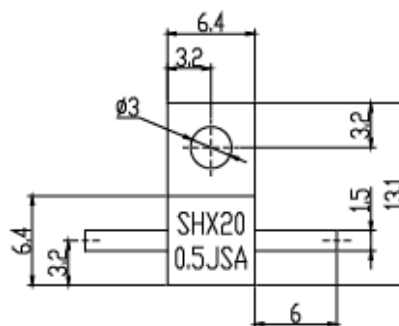
Dimensions: 7.6×5×3.6mm



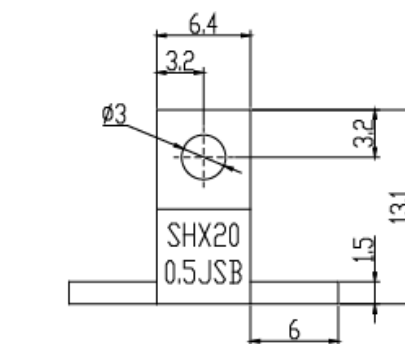
Model SHX20-XXJS

Integrated Attenuators

20 Watts DC-4GHz



SHX20-XXJSA(with lead in the middle)



SHX20-XXJSB(with lead at the bottom)

SPECIFICATIONS

Impedance: 50Ω

Max VSWR: ≤1.5

Attenuation Value & Accuracy:

0.5-9dB±0.5dB* 10-20dB±1dB*

Dimensions: 13.1×5.7×3.6mm

Model SHX50-XX-JS
Integrated Attenuators
50 Watts DC-4GHz

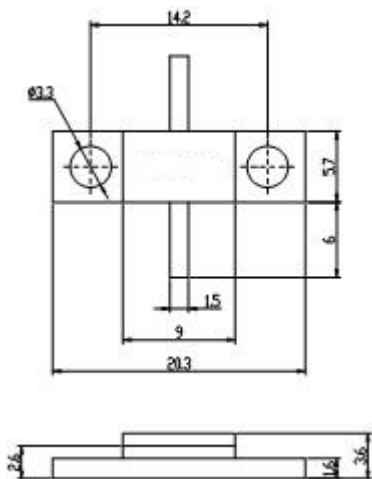
Impedance: 50Ω

Max VSWR: ≤1.5

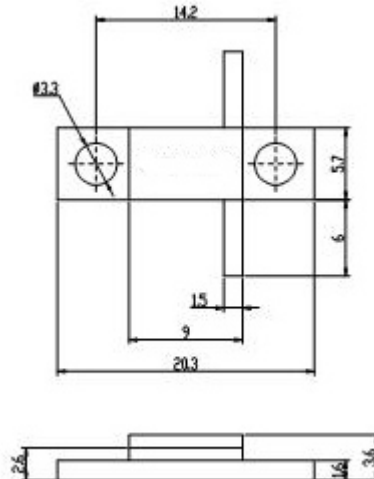
Attenuation Value & Accuracy:

0.5-9dB±0.5dB* 10-20dB±1dB*

Dimensions: 20.3×5.7×3.6mm



SHX50-XX-JSA(引线在中间)



SHX50-XX-JSB(引线在底部)

Model SHX50L-XX-JS
Integrated Attenuators
50Watts DC-3GHz

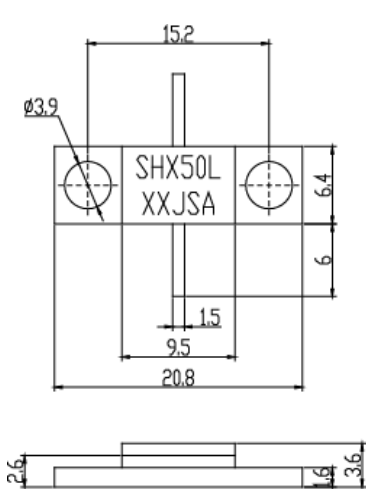
Impedance: 50Ω

Max VSWR: ≤1.5

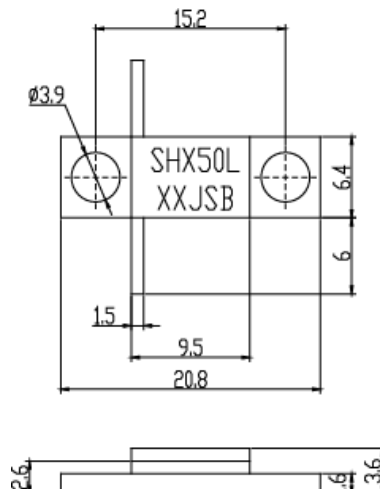
Attenuation Value & Accuracy:

0.5-9dB±0.5dB* 10-20dB±1dB*

Dimensions: 20.8×6.4×3.8mm



SHX50L-XX-JSA(引线在中间)



SHX50L-XX-JSB(引线在底部)

Model SHX50G-XXJS
Integrated Attenuators

50 Watts DC-3GHz

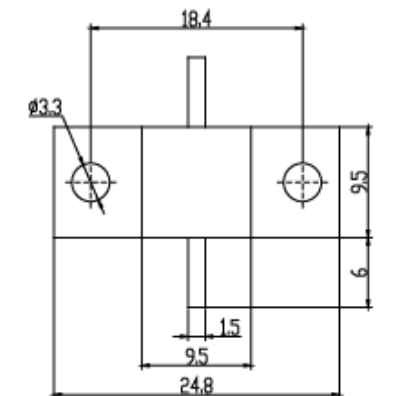
Impedance: 50Ω

Max VSWR: ≤1.5

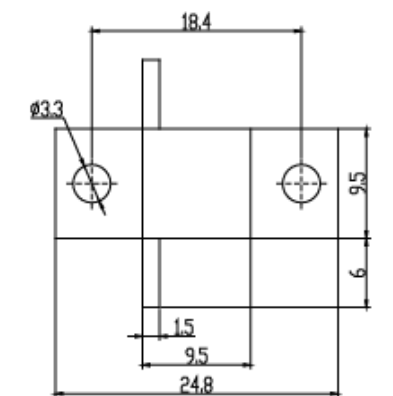
Attenuation Value & Accuracy:

0.5-9dB±0.5dB* 10-20dB±1dB*

Dimensions: 24.8×9.5×5.0mm



SHX50G-XXJSA(Lead in the middle)



SHX50G-XXJSB(Lead at the bottom)

Model SHX100-XXJS
Integrated Attenuators

100 Watts DC-2.5GHz

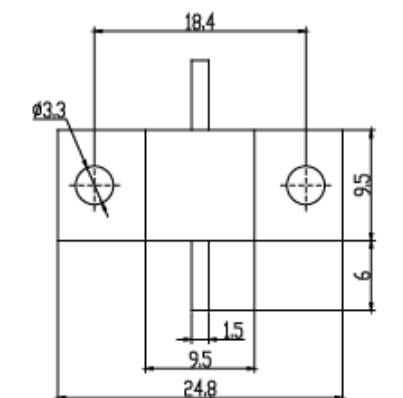
Impedance: 50Ω

Max VSWR: ≤1.4

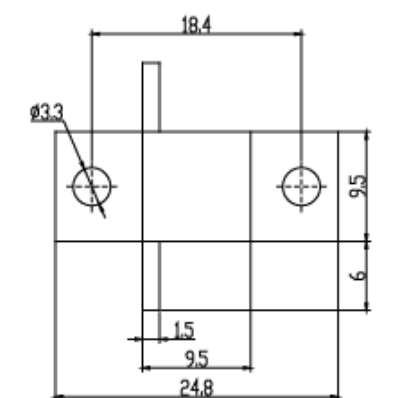
Attenuation Value & Accuracy:

0.5-9dB±0.5dB* 10-20dB±1dB*

Dimensions: 24.8×9.5×5.0mm



SHX100-XXJSA(Lead in the middle)



SHX100-XXJSB(Lead at the bottom)

Model SHX150-XX-JSA

Integrated Attenuators

150 Watts DC-3GHz

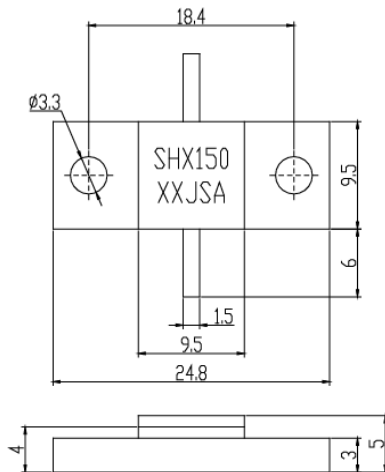
Impedance: 50Ω

Max VSWR: ≤1.4

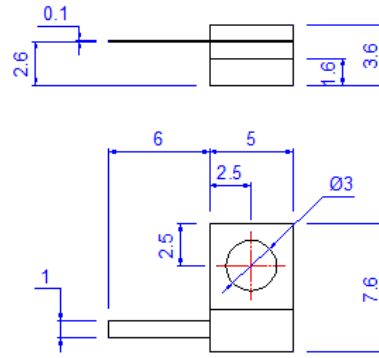
Attenuation Value & Accuracy:

1-9dB±0.5dB* 10-20dB±1dB*

Dimensions: 24.8×9.5×5.0mm



Model SHX10-50X6SF105(SHX10-50TV) DC-6GHz 10Watts



High power resistors are used as balance resistors on allotter or as absorption edge in hybrid and coupler. They feature broadband frequency, low VSWR, excellent capacity in anti-pulse and anti-burnout etc.

MECHANICAL SPECIFICATIONS	
Cover Plate	Al ₂ O ₃
Substrate	Al ₂ O ₃ /BeO/AlN ₃
Base Plate	Brass Nickel Plated
Lead Material	Silver
Dimensions	5×7.6×3.6mm

RoHS Compliant: Yes

ELECTRICAL SPECIFICATIONS

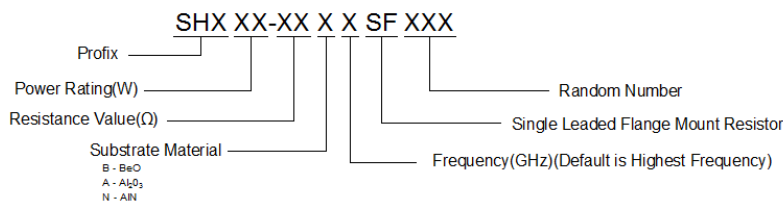
Model Number	Frequency Range(GHz)	VSWR
SHX10-50X4SF101(SHX10-50TV)	DC-4	1.30
SHX10-50X6SF105	DC-6	1.30

NOMINAL IMPEDANCE: 50Ω

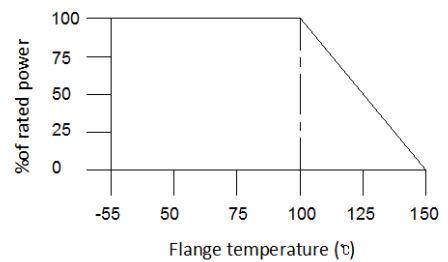
AVERAGE POWER: 10W

OPERATING TEMPERATURE: -55°C~+150°C

ORDER INFORMATION:



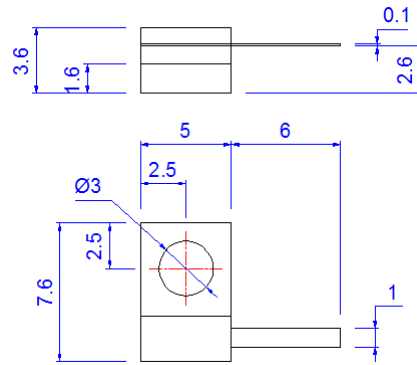
POWER CURVE:



Note:

1. Resistance tolerance: standard tolerance ±5%, ±2%.
2. Resistance range: 0.5-20000Ω, standard 50-100Ω.
3. Use additional lumped element and matched line to get lower VSWR.
4. Operation board and lead can be made according to customer's demand.
5. Custom designed for special demand.
6. Dimensions Tolerance ±3%

Model SHX10-50X6SF115(SHX10-50TVR) DC-6GHz 10Watts



High power resistors are used as balance resistors on allotter or as absorption edge in hybrid and coupler. They feature broadband frequency, low VSWR, excellent capacity in anti-pulse and anti-burnout etc.

MECHANICAL SPECIFICATIONS	
Cover Plate	Al ₂ O ₃
Substrate	Al ₂ O ₃ /BeO/AlN ₃
Base Plate	Brass Nickel Plated
Lead Material	Silver
Dimensions	5×7.6×3.6mm

RoHS Compliant: Yes

ELECTRICAL SPECIFICATIONS

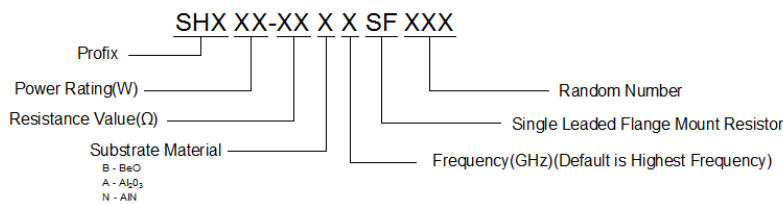
Model Number	Frequency Range(GHz)	VSWR
SHX10-50X4SF111(SHX10-50TVR)	DC-4	1.30
SHX10-50X6SF115	DC-6	1.30

NOMINAL IMPEDANCE: 50Ω

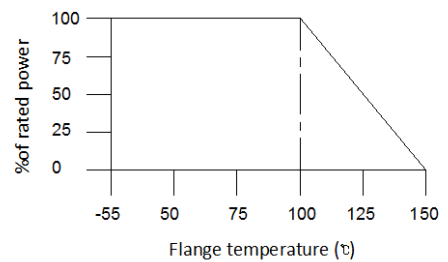
AVERAGE POWER: 10W

OPERATING TEMPERATURE: -55°C~+150°C

ORDER INFORMATION:



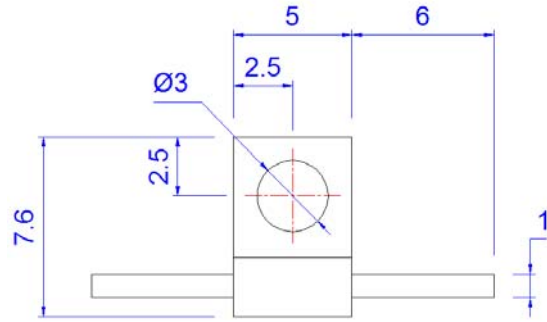
POWER CURVE:



Note:

1. Resistance tolerance: standard tolerance ±5%, ±2%.
2. Resistance range: 0.5-20000Ω, standard 50-100Ω.
3. Use additional lumped element and matched line to get lower VSWR.
4. Operation board and lead can be made according to customer's demand.
5. Custom designed for special demand.
6. Dimensions Tolerance ±3%

Model SHX10-50X6SF125(SHX10-50TVV) DC-6GHz 10Watts



High power resistors are used as balance resistors on allotter or as absorption edge in hybrid and coupler. They feature broadband frequency, low VSWR, excellent capacity in anti-pulse and anti-burnout etc.

MECHANICAL SPECIFICATIONS

Cover Plate	Al ₂ O ₃
Substrate	Al ₂ O ₃ /BeO/AlN ₃
Base Plate	Brass Nickel Plated
Lead Material	Silver
Dimensions	5×12.7×3.6mm

RoHS Compliant: Yes

ELECTRICAL SPECIFICATIONS

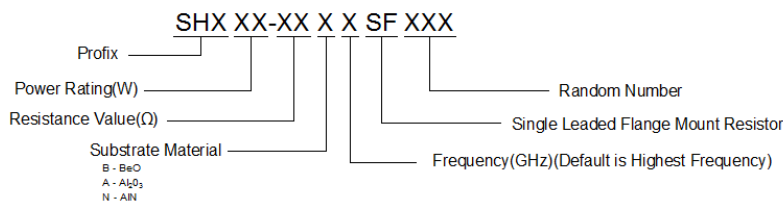
Model Number	Frequency Range(GHz)	VSWR
SHX10-50X4SF121(SHX10-50TVV)	DC-4	1.30
SHX10-50X6SF125	DC-6	1.30

NOMINAL IMPEDANCE: 50Ω

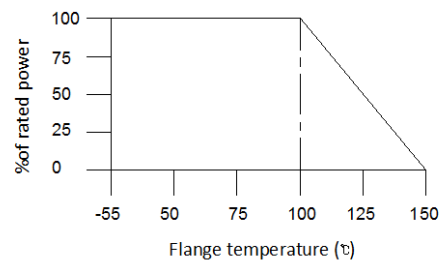
AVERAGE POWER: 10W

OPERATING TEMPERATURE: -55°C~+150°C

ORDER INFORMATION:



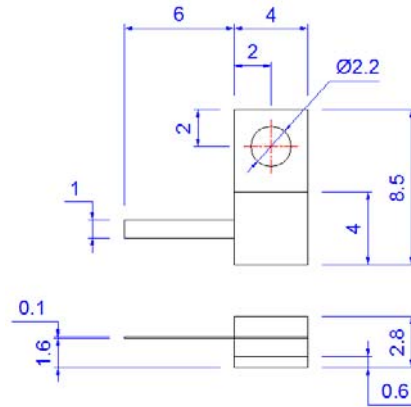
POWER CURVE:



Note:

1. Resistance tolerance: standard tolerance ±5%, ±2%.
2. Resistance range: 0.5-20000Ω, standard 50-100Ω.
3. Use additional lumped element and matched line to get lower VSWR.
4. Operation board and lead can be made according to customer's demand.
5. Custom designed for special demand.
6. Dimensions Tolerance ±3%

Model SHX10-50X6SF125(SHX10-50TVV) DC-6GHz 10Watts



High power resistors are used as balance resistors on allotter or as absorption edge in hybrid and coupler. They feature broadband frequency, low VSWR, excellent capacity in anti-pulse and anti-burnout etc.

MECHANICAL SPECIFICATIONS	
Cover Plate	Al ₂ O ₃
Substrate	Al ₂ O ₃ /BeO/AlN ₃
Base Plate	Brass Nickel Plated
Lead Material	Silver
Dimensions	8.5×4×2.8mm

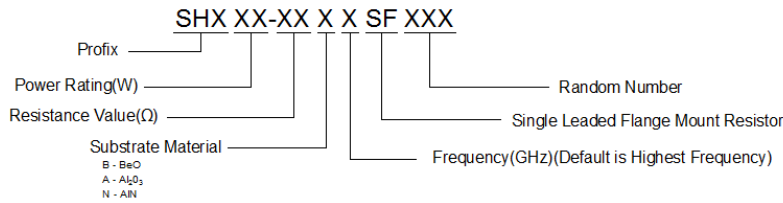
RoHS Compliant: Yes

ELECTRICAL SPECIFICATIONS

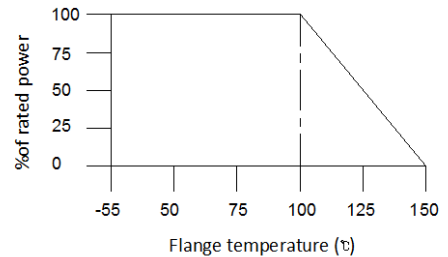
Model Number	Frequency Range(GHz)	VSWR
SHX10-50X6SF131(SHX10-50TP)	DC-6	1.30

NOMINAL IMPEDANCE: 50Ω
 AVERAGE POWER: 10W
 OPERATING TEMPERATURE: -55°C~+150°C

ORDER INFORMATION:



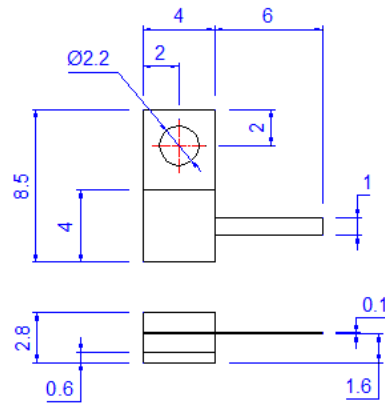
POWER CURVE:



Note:

1. Resistance tolerance: standard tolerance ±5%, ±2%.
2. Resistance range: 0.5-20000Ω, standard 50-100Ω.
3. Use additional lumped element and matched line to get lower VSWR.
4. Operation board and lead can be made according to customer's demand.
5. Custom designed for special demand.
6. Dimensions Tolerance ±3%

Model SHX10-50X6SF141(SHX10-50TPN) DC-6GHz 10Watts



High power resistors are used as balance resistors on allotter or as absorption edge in hybrid and coupler. They feature broadband frequency, low VSWR, excellent capacity in anti-pulse and anti-burnout etc.

MECHANICAL SPECIFICATIONS	
Cover Plate	Al ₂ O ₃
Substrate	Al ₂ O ₃ /BeO/AlN ₃
Base Plate	Brass Nickel Plated
Lead Material	Silver
Dimensions	8.5×4×2.8mm

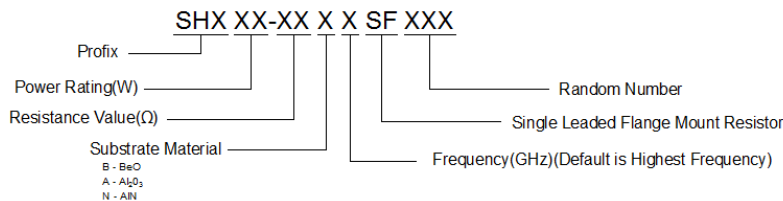
RoHS Compliant: Yes

ELECTRICAL SPECIFICATIONS

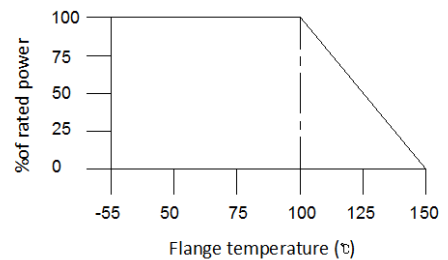
Model Number	Frequency Range(GHz)	VSWR
SHX10-50X6SF141(SHX10-50TPN)	DC-6	1.30

NOMINAL IMPEDANCE: 50Ω
AVERAGE POWER: 10W
OPERATING TEMPERATURE: -55°C~+150°C

ORDER INFORMATION:



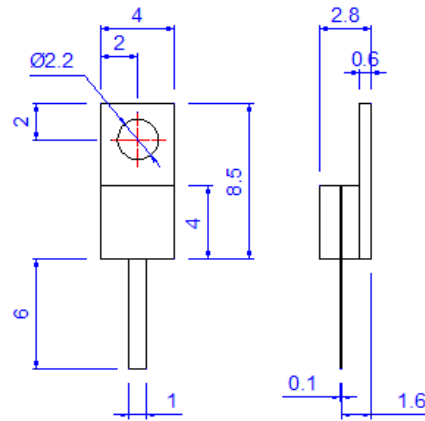
POWER CURVE:



Note:

1. Resistance tolerance: standard tolerance ±5%, ±2%.
2. Resistance range: 0.5-20000Ω, standard 50-100Ω.
3. Use additional lumped element and matched line to get lower VSWR.
4. Operation board and lead can be made according to customer's demand.
5. Custom designed for special demand.
6. Dimensions Tolerance ±3%

Model SHX10-50X6SF151(SHX10-50TPC) DC-6GHz 10Watts



High power resistors are used as balance resistors on allotter or as absorption edge in hybrid and coupler. They feature broadband frequency, low VSWR, excellent capacity in anti-pulse and anti-burnout etc.

MECHANICAL SPECIFICATIONS	
Cover Plate	Al ₂ O ₃
Substrate	Al ₂ O ₃ /BeO/AlN ₃
Base Plate	Brass Nickel Plated
Lead Material	Silver
Dimensions	8.5×4×2.8mm

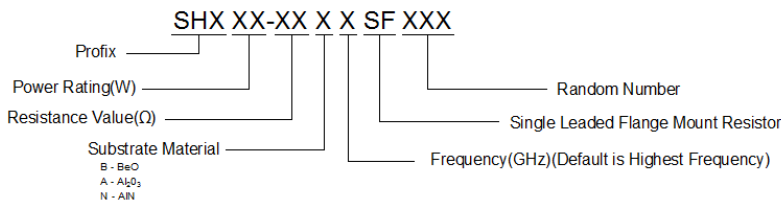
RoHS Compliant: Yes

ELECTRICAL SPECIFICATIONS

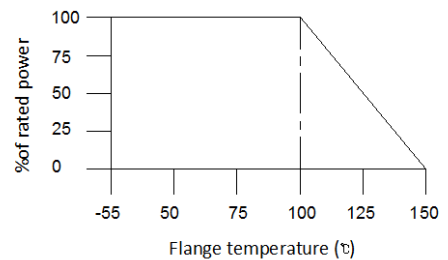
Model Number	Frequency Range(GHz)	VSWR
SHX10-50X6SF151(SHX10-50TPC)	DC-6	1.30

NOMINAL IMPEDANCE: 50Ω
AVERAGE POWER: 10W
OPERATING TEMPERATURE: -55°C~+150°C

ORDER INFORMATION:



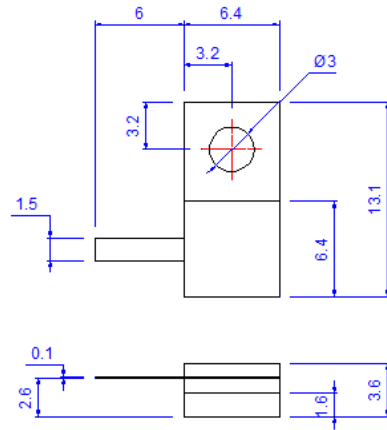
POWER CURVE:



Note:

1. Resistance tolerance: standard tolerance ±5%, ±2%.
2. Resistance range: 0.5-20000Ω, standard 50-100Ω.
3. Use additional lumped element and matched line to get lower VSWR.
4. Operation board and lead can be made according to customer's demand.
5. Custom designed for special demand.
6. Dimensions Tolerance ±3%

Model SHX20-50X4SF205(SHX20-50TP) DC-4GHz 20Watts



High power resistors are used as balance resistors on allotter or as absorption edge in hybrid and coupler. They feature broadband frequency, low VSWR, excellent capacity in anti-pulse and anti-burnout etc.

MECHANICAL SPECIFICATIONS	
Cover Plate	Al ₂ O ₃
Substrate	Al ₂ O ₃ /BeO/AlN ₃
Base Plate	Brass Nickel Plated
Lead Material	Silver
Dimensions	13.1×6.4×3.6mm

RoHS Compliant: Yes

ELECTRICAL SPECIFICATIONS

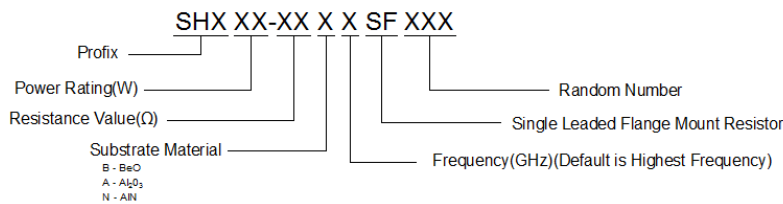
Model Number	Frequency Range(GHz)	VSWR
SHX20-50X2SF201(SHX20-50TP)	DC-2	1.25
SHX20-50X4SF205	DC-4	1.30

NOMINAL IMPEDANCE: 50Ω

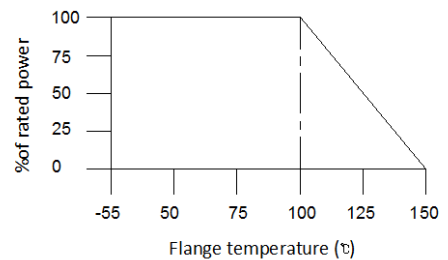
AVERAGE POWER: 20W

OPERATING TEMPERATURE: -55°C~+150°C

ORDER INFORMATION:



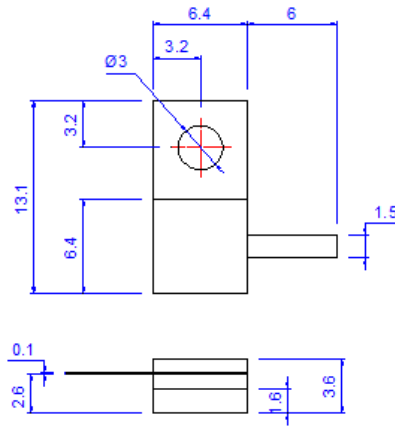
POWER CURVE:



Note:

1. Resistance tolerance: standard tolerance ±5%, ±2%.
2. Resistance range: 0.5-20000Ω, standard 50-100Ω.
3. Use additional lumped element and matched line to get lower VSWR.
4. Operation board and lead can be made according to customer's demand.
5. Custom designed for special demand.
6. Dimensions Tolerance ±3%

Model SHX20-50X4SF215(SHX20-50TPN) DC-4GHz 20Watts



High power resistors are used as balance resistors on all other or as absorption edge in hybrid and coupler. They feature broadband frequency, low VSWR, excellent capacity in anti-pulse and anti-burnout etc.

MECHANICAL SPECIFICATIONS	
Cover Plate	Al ₂ O ₃
Substrate	Al ₂ O ₃ /BeO/AlN ₃
Base Plate	Brass Nickel Plated
Lead Material	Silver
Dimensions	13.1×6.4×3.6mm

RoHS Compliant: Yes

ELECTRICAL SPECIFICATIONS

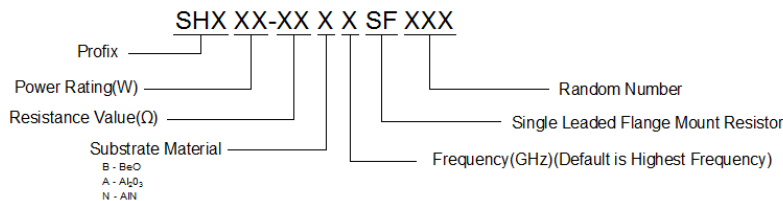
Model Number	Frequency Range(GHz)	VSWR
SHX20-50X2SF211(SHX20-50TPN)	DC-2	1.25
SHX20-50X4SF215	DC-4	1.30

NOMINAL IMPEDANCE: 50Ω

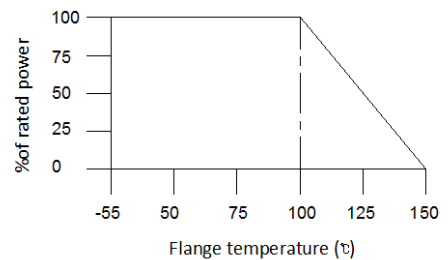
AVERAGE POWER: 20W

OPERATING TEMPERATURE: -55°C~+150°C

ORDER INFORMATION:



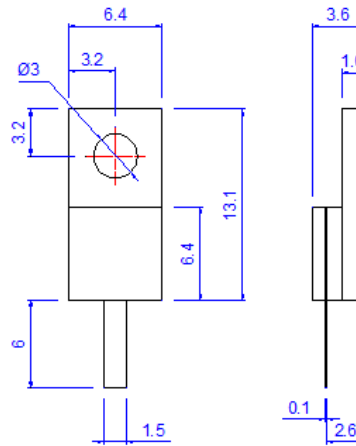
POWER CURVE:



Note:

1. Resistance tolerance: standard tolerance ±5%, ±2%.
2. Resistance range: 0.5-20000Ω, standard 50-100Ω.
3. Use additional lumped element and matched line to get lower VSWR.
4. Operation board and lead can be made according to customer's demand.
5. Custom designed for special demand.
6. Dimensions Tolerance ±3%

Model SHX20-50X4SF225(SHX20-50TPC) DC-4GHz 20Watts



High power resistors are used as balance resistors on allotter or as absorption edge in hybrid and coupler. They feature broadband frequency, low VSWR, excellent capacity in anti-pulse and anti-burnout etc.

MECHANICAL SPECIFICATIONS	
Cover Plate	Al ₂ O ₃
Substrate	Al ₂ O ₃ /BeO/AlN ₃
Base Plate	Brass Nickel Plated
Lead Material	Silver
Dimensions	13.1×6.4×3.6mm

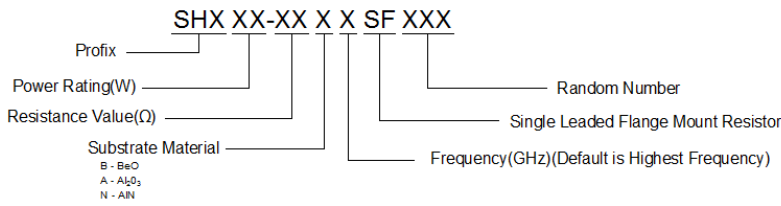
RoHS Compliant: Yes

ELECTRICAL SPECIFICATIONS

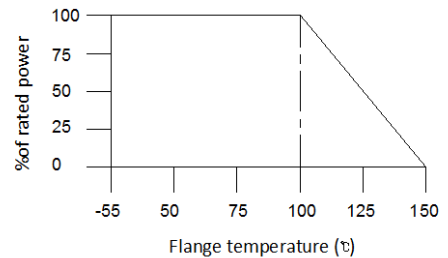
Model Number	Frequency Range(GHz)	VSWR
SHX20-50X2SF221(SHX20-50TPC)	DC-2	1.25
SHX20-50X4SF225	DC-4	1.30

NOMINAL IMPEDANCE: 50Ω
AVERAGE POWER: 20W
OPERATING TEMPERATURE: -55℃~+150℃

ORDER INFORMATION:



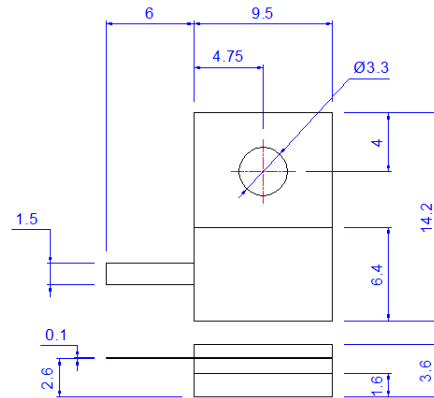
POWER CURVE:



Note:

1. Resistance tolerance: standard tolerance ±5%, ±2%.
2. Resistance range: 0.5-20000Ω, standard 50-100Ω.
3. Use additional lumped element and matched line to get lower VSWR.
4. Operation board and lead can be made according to customer's demand.
5. Custom designed for special demand.
6. Dimensions Tolerance ±3%

Model SHX50-50X6SF505(SHX50-50TCG) DC-6GHz 50Watts



High power resistors are used as balance resistors on allotter or as absorption edge in hybrid and coupler. They feature broadband frequency, low VSWR, excellent capacity in anti-pulse and anti-burnout etc.

MECHANICAL SPECIFICATIONS	
Cover Plate	Al ₂ O ₃
Substrate	Al ₂ O ₃ /BeO/AlN ₃
Base Plate	Brass Nickel Plated
Lead Material	Silver
Dimensions	14.2×9.5×3.6mm

RoHS Compliant: Yes

ELECTRICAL SPECIFICATIONS

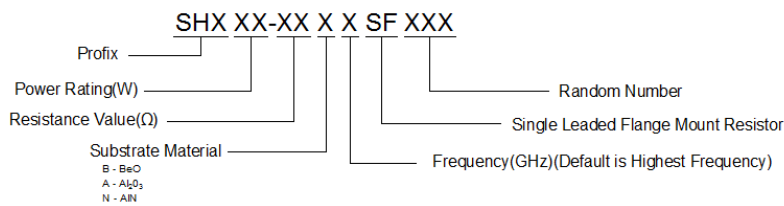
Model Number	Frequency Range(GHz)	VSWR
SHX50-50X2SF501(SHX50-50TCG)	DC-2	1.35
SHX50-50X6SF505	DC-6	1.35

NOMINAL IMPEDANCE: 50Ω

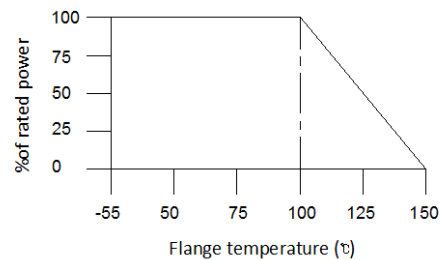
AVERAGE POWER: 50W

OPERATING TEMPERATURE: -55℃~+150℃

ORDER INFORMATION:



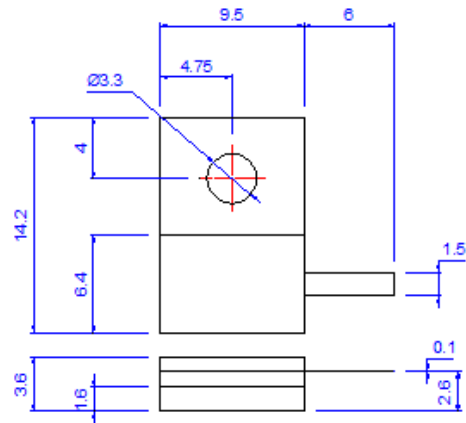
POWER CURVE:



Note:

1. Resistance tolerance: standard tolerance ±5%, ±2%.
2. Resistance range: 0.5-20000Ω, standard 50-100Ω.
3. Use additional lumped element and matched line to get lower VSWR.
4. Operation board and lead can be made according to customer's demand.
5. Custom designed for special demand.
6. Dimensions Tolerance ±3%

Model SHX50-50X6SF515 (SHX50-50TCGR) DC-6GHz 50Watts



High power resistors are used as balance resistors on allotter or as absorption edge in hybrid and coupler. They feature broadband frequency, low VSWR, excellent capacity in anti-pulse and anti-burnout etc.

MECHANICAL SPECIFICATIONS	
Cover Plate	Al ₂ O ₃
Substrate	Al ₂ O ₃ /BeO/AlN ₃
Base Plate	Brass Nickel Plated
Lead Material	Silver
Dimensions	14.2×9.5×3.6mm

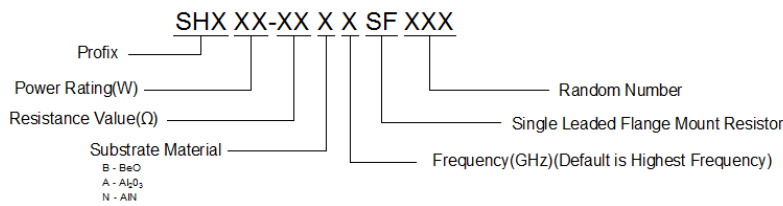
RoHS Compliant: Yes

ELECTRICAL SPECIFICATIONS

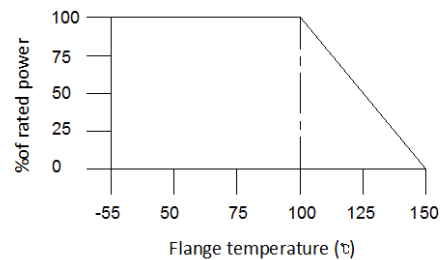
Model Number	Frequency Range(GHz)	VSWR
SHX50-50X2SF511(SHX50-50TCGR)	DC-2	1.35
SHX50-50X6SF515	DC-6	1.35

NOMINAL IMPEDANCE: 50Ω
AVERAGE POWER: 50W
OPERATING TEMPERATURE: -55°C~+150°C

ORDER INFORMATION:



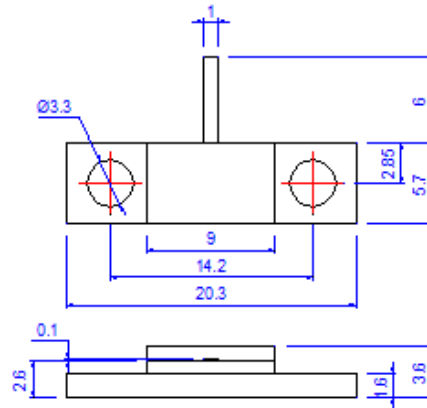
POWER CURVE:



Note:

1. Resistance tolerance: standard tolerance ±5%, ±2%.
2. Resistance range: 0.5-20000Ω, standard 50-100Ω.
3. Use additional lumped element and matched line to get lower VSWR.
4. Operation board and lead can be made according to customer's demand.
5. Custom designed for special demand.
6. Dimensions Tolerance ±3%

Model SHX100-50X6SF305 (SHX50-50TCGR) DC-6GHz 100Watts



High power resistors are used as balance resistors on allotter or as absorption edge in hybrid and coupler. They feature broadband frequency, low VSWR, excellent capacity in anti-pulse and anti-burnout etc.

MECHANICAL SPECIFICATIONS	
Cover Plate	Al ₂ O ₃
Substrate	Al ₂ O ₃ /BeO/AlN ₃
Base Plate	Brass Nickel Plated
Lead Material	Silver
Dimensions	20.3×5.7×3.6mm

RoHS Compliant: Yes

ELECTRICAL SPECIFICATIONS

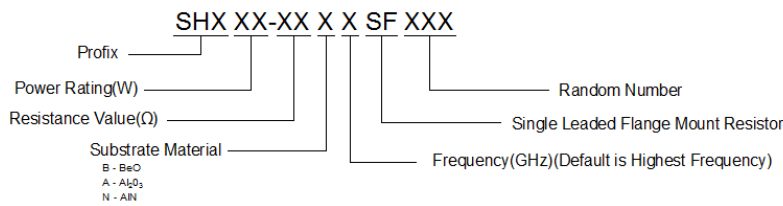
Model Number	Frequency Range(GHz)	VSWR
SHX100-50X2SF301 (SHX50-50TCGR)	DC-2	1.35
SHX100-50X6SF305	DC-6	1.45

NOMINAL IMPEDANCE: 50Ω

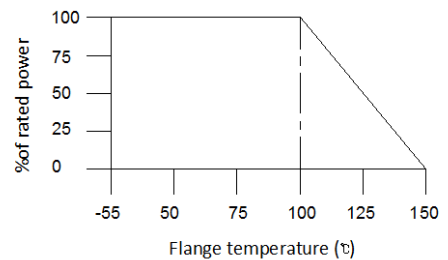
AVERAGE POWER: 100W

OPERATING TEMPERATURE: -55°C~+150°C

ORDER INFORMATION:



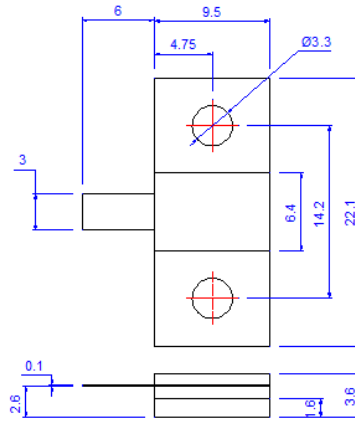
POWER CURVE:



Note:

1. Resistance tolerance: standard tolerance ±5%, ±2%.
2. Resistance range: 0.5-20000Ω, standard 50-100Ω.
3. Use additional lumped element and matched line to get lower VSWR.
4. Operation board and lead can be made according to customer's demand.
5. Custom designed for special demand.
6. Dimensions Tolerance ±3%

Model SHX150-50X6SF405 (SHX150-50TG) DC-6GHz 150Watts



High power resistors are used as balance resistors on allotter or as absorption edge in hybrid and coupler. They feature broadband frequency, low VSWR, excellent capacity in anti-pulse and anti-burnout etc.

MECHANICAL SPECIFICATIONS	
Cover Plate	Al ₂ O ₃
Substrate	Al ₂ O ₃ /BeO/AlN ₃
Base Plate	Brass Nickel Plated
Lead Material	Silver
Dimensions	22.1×9.5×3.6mm

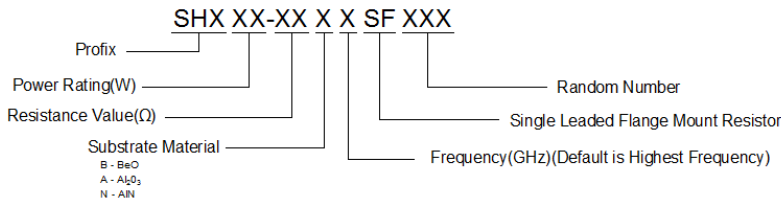
RoHS Compliant: Yes

ELECTRICAL SPECIFICATIONS

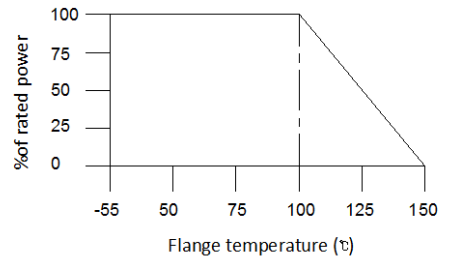
Model Number	Frequency Range(GHz)	VSWR
SHX150-50X6SF401(SHX150-50TG)	DC-1	1.45
SHX150-50X6SF405	DC-6	1.45

NOMINAL IMPEDANCE: 50Ω
AVERAGE POWER: 150W
OPERATING TEMPERATURE: -55°C~+150°C

ORDER INFORMATION:



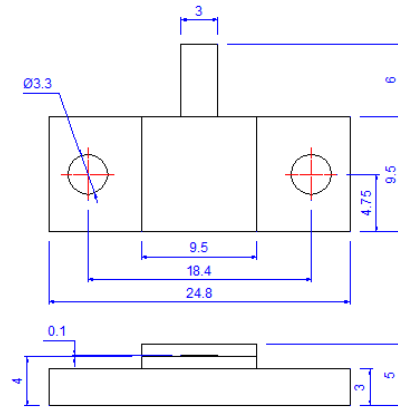
POWER CURVE:



Note:

- 1.Resistance tolerance: standard tolerance ±5%,±2%.
- 2.Resistance range: 0.5-20000Ω, standard 50-100Ω.
- 3.Use additional lumped element and matched line to get lower VSWR.
- 4.Operation board and lead can be made according to customer's demand.
- 5.Custom designed for special demand.
- 6.Dimensions Tolerance ±3%

Model SHX250-50X3SF705 (SHX250-50TC) DC-3GHz 250Watts



High power resistors are used as balance resistors on allotter or as absorption edge in hybrid and coupler. They feature broadband frequency, low VSWR, excellent capacity in anti-pulse and anti-burnout etc.

MECHANICAL SPECIFICATIONS	
Cover Plate	Al ₂ O ₃
Substrate	Al ₂ O ₃ /BeO/AlN ₃
Base Plate	Brass Nickel Plated
Lead Material	Silver
Dimensions	24.8×9.5×5mm

RoHS Compliant: Yes

ELECTRICAL SPECIFICATIONS

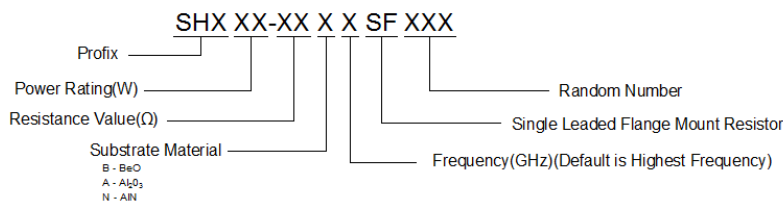
Model Number	Frequency Range(GHz)	VSWR
SHX250-50X1SF701(SHX250-50TC)	DC-1	1.35
SHX250-50X3SF705	DC-3	1.25

NOMINAL IMPEDANCE: 50Ω

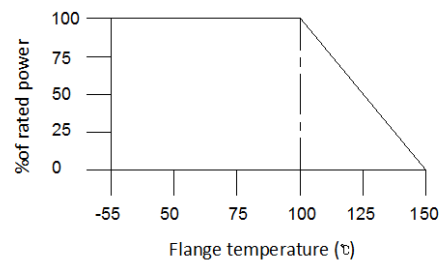
AVERAGE POWER: 250W

OPERATING TEMPERATURE: -55°C~+150°C

ORDER INFORMATION:



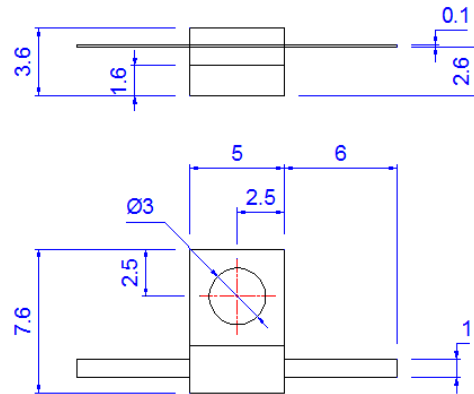
POWER CURVE:



Note:

1. Resistance tolerance: standard tolerance ±5%, ±2%.
2. Resistance range: 0.5-20000Ω, standard 50-100Ω.
3. Use additional lumped element and matched line to get lower VSWR.
4. Operation board and lead can be made according to customer's demand.
5. Custom designed for special demand.
6. Dimensions Tolerance ±3%

Model SHX10-100XDF161 (SHX10-100RV) 10Watts



High power resistors are used as balance resistors on allotter or as absorption edge in hybrid and coupler. They feature broadband frequency, low VSWR, excellent capacity in anti-pulse and anti-burnout etc.

MECHANICAL SPECIFICATIONS	
Cover Plate	Al ₂ O ₃
Substrate	Al ₂ O ₃ /BeO/AlN ₃
Base Plate	Brass Nickel Plated
Lead Material	Silver
Dimensions	7.6×5×3.6mm

RoHS Compliant: Yes

ELECTRICAL SPECIFICATIONS

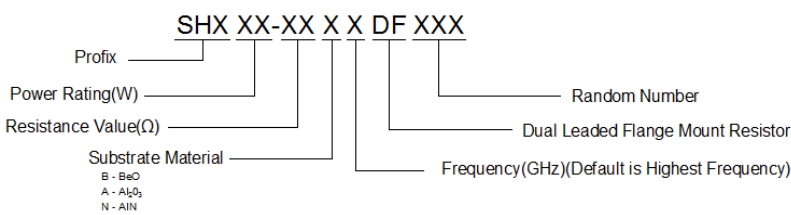
Model Number	Capacitance(pF)
SHX10-100XDF161(SHX10-100RV)	0.75

NOMINAL IMPEDANCE: 100Ω

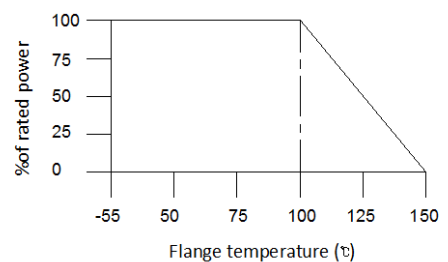
AVERAGE POWER: 10W

OPERATING TEMPERATURE: -55°C~+150°C

ORDER INFORMATION:



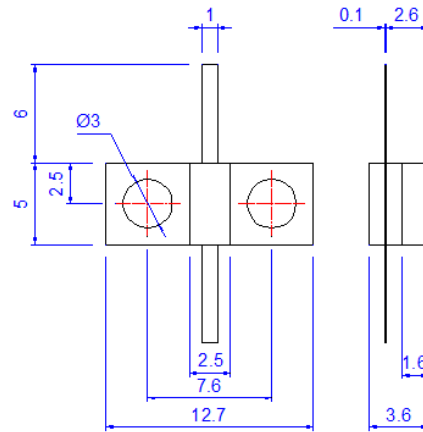
POWER CURVE:



Note:

1. Resistance tolerance: standard tolerance ±5%, ±2%.
2. Resistance range: 0.5-20000Ω, standard 50-100Ω.
3. Use additional lumped element and matched line to get lower VSWR.
4. Operation board and lead can be made according to customer's demand.
5. Custom designed for special demand.
6. Dimensions Tolerance ±3%

Model SHX10-100XDF161 (SHX10-100RV) 10Watts



High power resistors are used as balance resistors on allotter or as absorption edge in hybrid and coupler. They feature broadband frequency, low VSWR, excellent capacity in anti-pulse and anti-burnout etc.

MECHANICAL SPECIFICATIONS	
Cover Plate	Al ₂ O ₃
Substrate	Al ₂ O ₃ /BeO/AlN ₃
Base Plate	Brass Nickel Plated
Lead Material	Silver
Dimensions	12.7×5×3.6mm

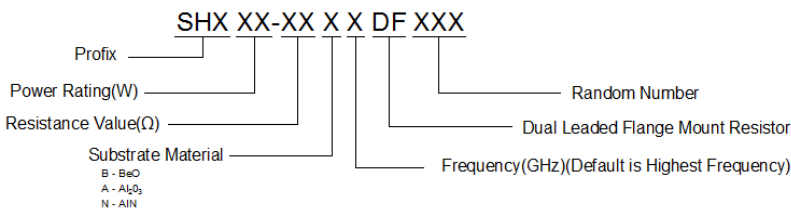
RoHS Compliant: Yes

ELECTRICAL SPECIFICATIONS

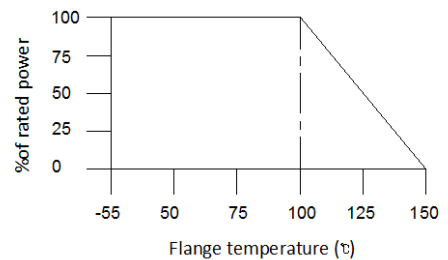
Model Number	Capacitance
SHX10-100XDF161(SHX10-100RV)	0.75 pF

NOMINAL IMPEDANCE: 100Ω
AVERAGE POWER: 10W
OPERATING TEMPERATURE: -55°C~+150°C

ORDER INFORMATION:



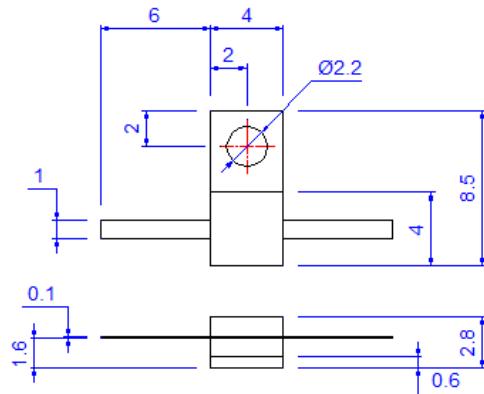
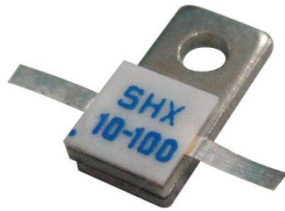
POWER CURVE:



Note:

1. Resistance tolerance: standard tolerance ±5%, ±2%.
2. Resistance range: 0.5-20000Ω, standard 50-100Ω.
3. Use additional lumped element and matched line to get lower VSWR.
4. Operation board and lead can be made according to customer's demand.
5. Custom designed for special demand.
6. Dimensions Tolerance ±3%

Model SHX10-100XDF181 (SHX10-100RP) 10Watts



High power resistors are used as balance resistors on allotter or as absorption edge in hybrid and coupler. They feature broadband frequency, low VSWR, excellent capacity in anti-pulse and anti-burnout etc.

MECHANICAL SPECIFICATIONS	
Cover Plate	Al ₂ O ₃
Substrate	Al ₂ O ₃ /BeO/AlN ₃
Base Plate	Brass Nickel Plated
Lead Material	Silver
Dimensions	8.5×4×2.8mm

RoHS Compliant: Yes

ELECTRICAL SPECIFICATIONS

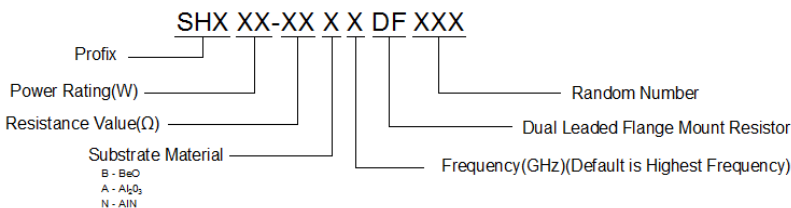
Model Number	Capacitance
SHX10-100XDF181(SHX10-100RP)	0.75pF

NOMINAL IMPEDANCE: 100Ω

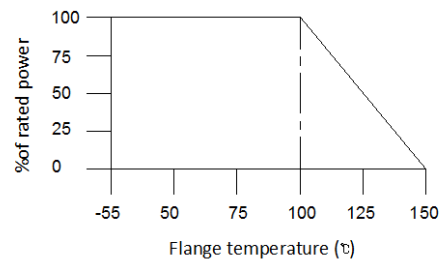
AVERAGE POWER: 10W

OPERATING TEMPERATURE: -55°C~+150°C

ORDER INFORMATION:



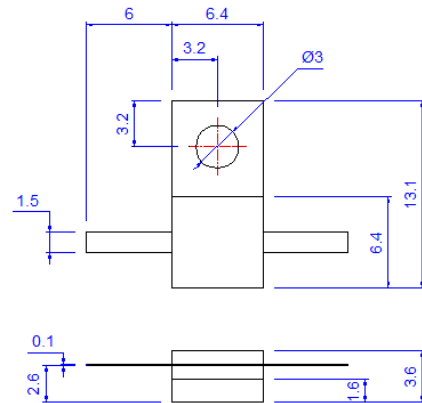
POWER CURVE:



Note:

1. Resistance tolerance: standard tolerance ±5%, ±2%.
2. Resistance range: 0.5-20000Ω, standard 50-100Ω.
3. Use additional lumped element and matched line to get lower VSWR.
4. Operation board and lead can be made according to customer's demand.
5. Custom designed for special demand.
6. Dimensions Tolerance ±3%

Model SHX20-100XDF231 (SHX20-100RP) 20Watts



High power resistors are used as balance resistors on allotter or as absorption edge in hybrid and coupler. They feature broadband frequency, low VSWR, excellent capacity in anti-pulse and anti-burnout etc.

MECHANICAL SPECIFICATIONS	
Cover Plate	Al ₂ O ₃
Substrate	Al ₂ O ₃ /BeO/AlN ₃
Base Plate	Brass Nickel Plated
Lead Material	Silver
Dimensions	13.1×6.4×3.6mm

RoHS Compliant: Yes

ELECTRICAL SPECIFICATIONS

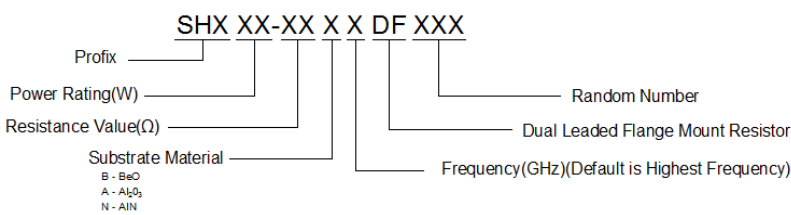
Model Number	Capacitance
SHX20-100XDF231(SHX20-100RP)	0.2pF

NOMINAL IMPEDANCE: 100Ω

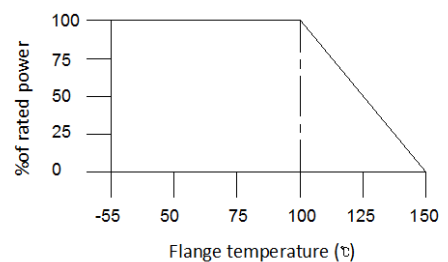
AVERAGE POWER: 20W

OPERATING TEMPERATURE: -55°C~+150°C

ORDER INFORMATION:



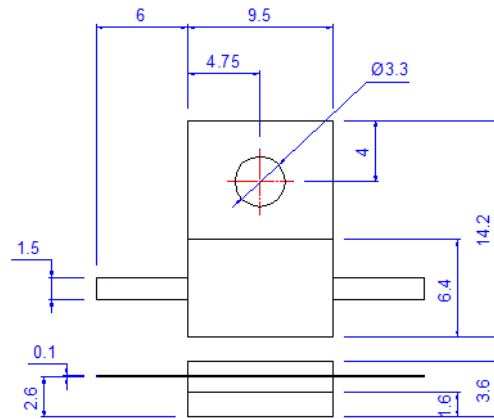
POWER CURVE:



Note:

1. Resistance tolerance: standard tolerance ±5%, ±2%.
2. Resistance range: 0.5-20000Ω, standard 50-100Ω.
3. Use additional lumped element and matched line to get lower VSWR.
4. Operation board and lead can be made according to customer's demand.
5. Custom designed for special demand.
6. Dimensions Tolerance ±3%

Model SHX50-100XDF521(SHX50-100RCG) 50Watts



High power resistors are used as balance resistors on allotter or as absorption edge in hybrid and coupler. They feature broadband frequency, low VSWR, excellent capacity in anti-pulse and anti-burnout etc.

MECHANICAL SPECIFICATIONS	
Cover Plate	Al ₂ O ₃
Substrate	Al ₂ O ₃ /BeO/AlN ₃
Base Plate	Brass Nickel Plated
Lead Material	Silver
Dimensions	14.2×9.5×3.6mm

RoHS Compliant: Yes

ELECTRICAL SPECIFICATIONS

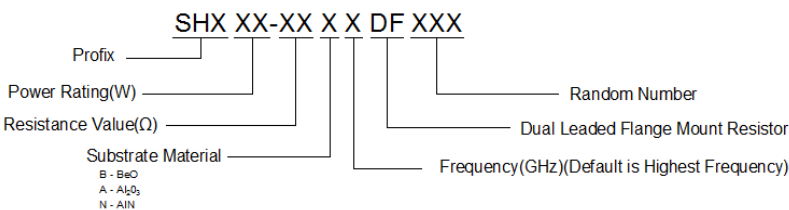
Model Number	Capacitance
SHX50-100XDF521(SHX50-100RCG)	0.2pF

NOMINAL IMPEDANCE: 100Ω

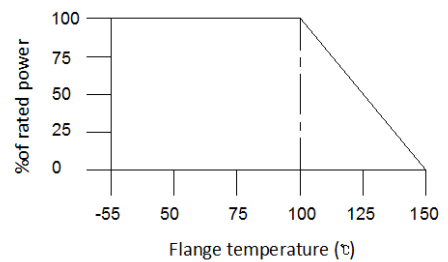
AVERAGE POWER: 50W

OPERATING TEMPERATURE: -55℃~+150℃

ORDER INFORMATION:



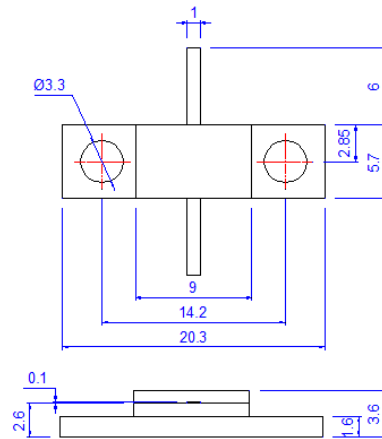
POWER CURVE:



Note:

1. Resistance tolerance: standard tolerance ±5%, ±2%.
2. Resistance range: 0.5-20000Ω, standard 50-100Ω.
3. Use additional lumped element and matched line to get lower VSWR.
4. Operation board and lead can be made according to customer's demand.
5. Custom designed for special demand.
6. Dimensions Tolerance ±3%

Model SHX100-100XDF311(SHX100-100RL) 100Watts



High power resistors are used as balance resistors on allotter or as absorption edge in hybrid and coupler. They feature broadband frequency, low VSWR, excellent capacity in anti-pulse and anti-burnout etc.

MECHANICAL SPECIFICATIONS	
Cover Plate	Al ₂ O ₃
Substrate	Al ₂ O ₃ /BeO/AlN ₃
Base Plate	Brass Nickel Plated
Lead Material	Silver
Dimensions	20.3×5.7×3.6mm

RoHS Compliant: Yes

ELECTRICAL SPECIFICATIONS

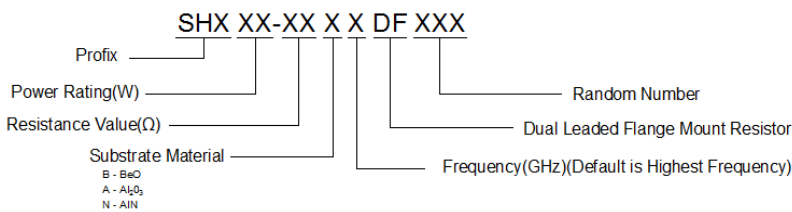
Model Number	Capacitance
SHX100-100XDF311(SHX100-100RL)	0.28pF

NOMINAL IMPEDANCE: 100Ω

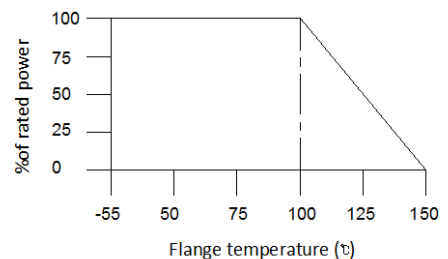
AVERAGE POWER: 100W

OPERATING TEMPERATURE: -55°C~+150°C

ORDER INFORMATION:



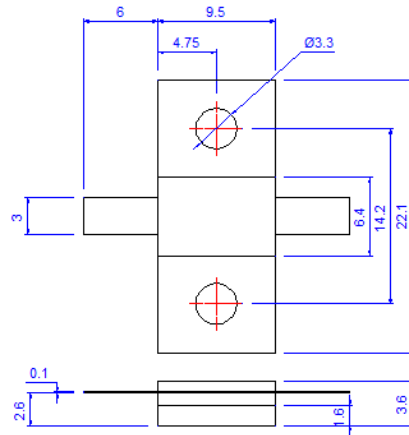
POWER CURVE:



Note:

- 1.Resistance tolerance: standard tolerance ±5%,±2%.
- 2.Resistance range: 0.5-20000Ω, standard 50-100Ω.
- 3.Use additional lumped element and matched line to get lower VSWR.
- 4.Operation board and lead can be made according to customer's demand.
- 5.Custom designed for special demand.
- 6.Dimensions Tolerance ±3%

Model SHX150-100XDF411(SHX150-100RCG) 150Watts



High power resistors are used as balance resistors on allotter or as absorption edge in hybrid and coupler. They feature broadband frequency, low VSWR, excellent capacity in anti-pulse and anti-burnout etc.

MECHANICAL SPECIFICATIONS	
Cover Plate	Al ₂ O ₃
Substrate	Al ₂ O ₃ /BeO/AlN ₃
Base Plate	Brass Nickel Plated
Lead Material	Silver
Dimensions	22.1×9.5×3.6mm

RoHS Compliant: Yes

ELECTRICAL SPECIFICATIONS

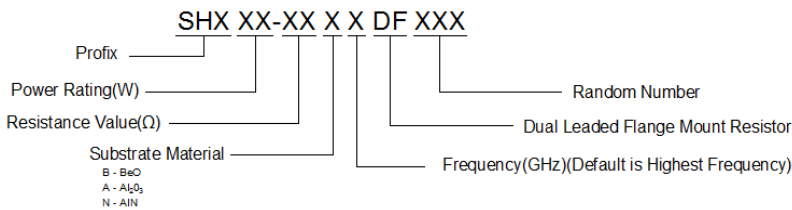
Model Number	Capacitance
SHX150-100XDF411(SHX150-100RCG)	3.5pF

NOMINAL IMPEDANCE: 100Ω

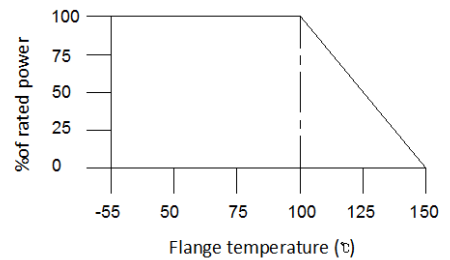
AVERAGE POWER: 150W

OPERATING TEMPERATURE: -55°C~+150°C

ORDER INFORMATION:



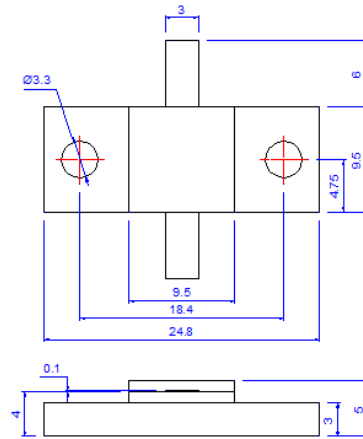
POWER CURVE:



Note:

1. Resistance tolerance: standard tolerance ±5%, ±2%.
2. Resistance range: 0.5-20000Ω, standard 50-100Ω.
3. Use additional lumped element and matched line to get lower VSWR.
4. Operation board and lead can be made according to customer's demand.
5. Custom designed for special demand.
6. Dimensions Tolerance ±3%

Model SHX250-100XDF711(SHX250-100RM) 250Watts



High power resistors are used as balance resistors on allotter or as absorption edge in hybrid and coupler. They feature broadband frequency, low VSWR, excellent capacity in anti-pulse and anti-burnout etc.

MECHANICAL SPECIFICATIONS	
Cover Plate	Al ₂ O ₃
Substrate	Al ₂ O ₃ /BeO/AlN ₃
Base Plate	Brass Nickel Plated
Lead Material	Silver
Dimensions	24.8×9.5×5mm

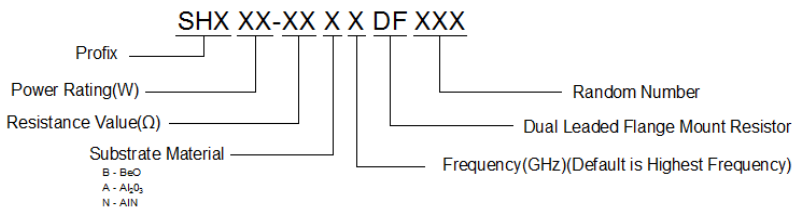
RoHS Compliant: Yes

ELECTRICAL SPECIFICATIONS

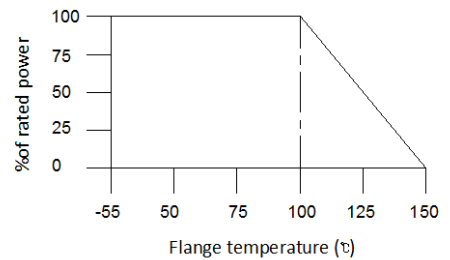
Model Number	Capacitance
SHX250-100XDF711(SHX250-100RM)	3.5pF

- NOMINAL IMPEDANCE: 100Ω
- AVERAGE POWER: 250W
- OPERATING TEMPERATURE: -55°C~+150°C

ORDER INFORMATION:



POWER CURVE:



Note:

1. Resistance tolerance: standard tolerance ±5%, ±2%.
2. Resistance range: 0.5-20000Ω, standard 50-100Ω.
3. Use additional lumped element and matched line to get lower VSWR.
4. Operation board and lead can be made according to customer's demand.
5. Custom designed for special demand.
6. Dimensions Tolerance ±3%