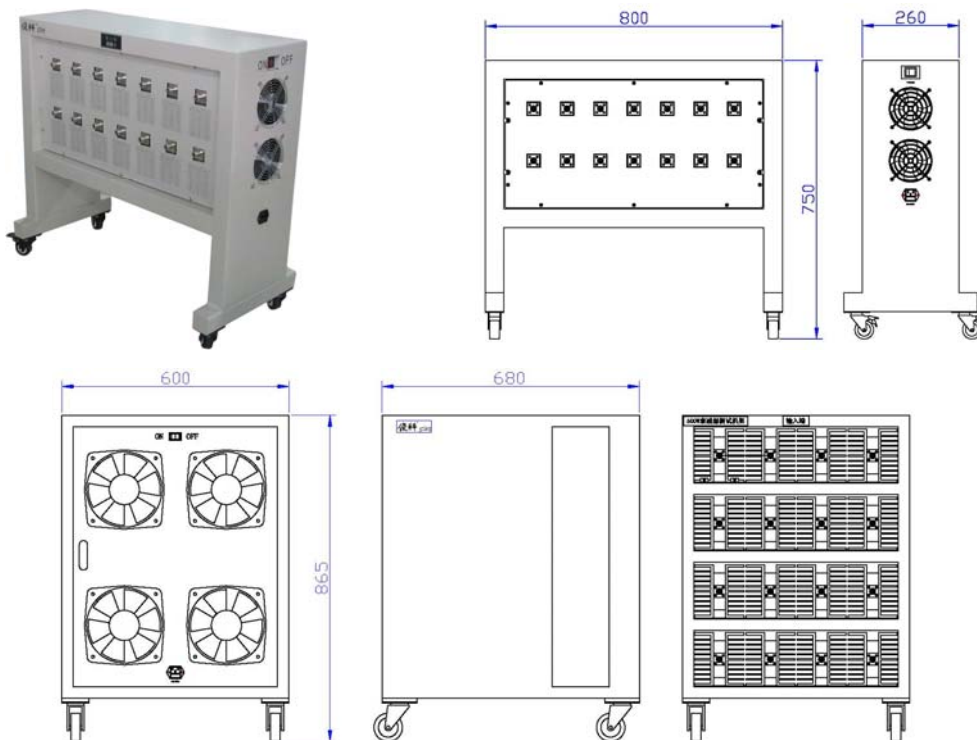


Model **SHX-LHT-150** **150 Watts** **DC-4GHz**
 SHX-LHT-500 **500 Watts** **DC-4GHz**



ELECTRICAL SPECIFICATIONS

Model Number	Frequency Range(GHz)	Attenuation Value(dB)	Attenuation Accuracy(dB)	Max VSWR
SHX-LHT-150	DC-4	50	±1.0	1.50
SHX-LHT-500		50	±1.5	

NOMINAL IMPEDANCE: 50Ω

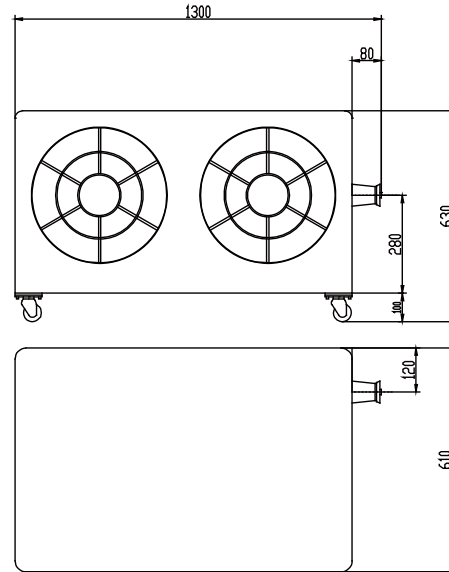
AVERAGE POWER: 150W/500W

DIMENSIONS: 150W:800×260×750mm
 500W: 600×680×865mm

Notes:

1. Dimensions Tolerance ±3%
2. Dimensions and specifications refer to connector type N unless otherwise specified.

Model TF4000-A 4000 Watts 0.9-3.1GHz



High power terminations for aging performance test are used in absorbing energy of RF and microwave system, they are commonly used as dummy loads of antenna and transmitter.

TF Serial high power terminations' average power from 3KW-4KW, frequency range from 0.9-3.1GHz and the features include wide frequency band, low VSWR, excellent capacity in anti-pulse and anti-burnout etc.

MECHANICAL SPECIFICATIONS

Connectors	Brass Nickel Plated
Male Pin	Brass Gold Plated
Female Pin	Beryllium Copper Gold Plated
Housing	Aluminum, Powder Coat
Temp Range	-40°C~+45°C
Dimensions	1300×600×630mm
Weight	130Kg

ELECTRICAL SPECIFICATIONS

Model Number	Frequency Range (GHz)	Max VSWR
TF4000-A	0.9-1.2	1.35
	1.4-1.7	
	2.2-2.6	
	2.7-3.1	

NOMINAL IMPEDANCE: 50Ω

AVERAGE POWER: 4000W

PEAK POWER: 40KW

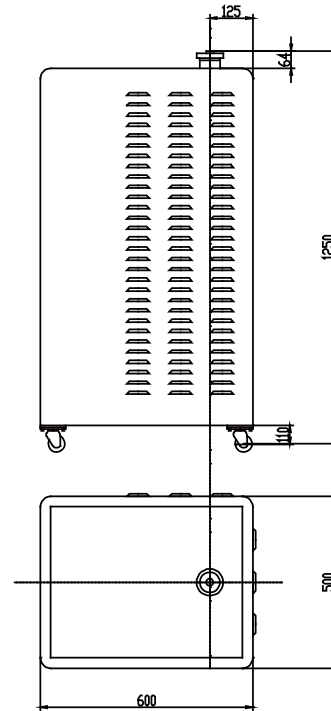
COOLING METHOD: forced draft

CONNECTOR TYPE: 7/16

Notes:

1. Dimensions Tolerance ±3%

Model TF4000-B 4000 Watts 0.9-3.1GHz



High power terminations for aging performance test are used in absorbing energy of RF and microwave system, they are commonly used as dummy loads of antenna and transmitter.

TF Serial high power terminations' average power from 3KW-4KW, frequency range from 0.9-3.1GHz and the features include wide frequency band, low VSWR, excellent capacity in anti-pulse and anti-burnout etc.

ELECTRICAL SPECIFICATIONS

Model Number	Frequency Range (GHz)	Max VSWR
TF4000-B	0.9-1.2	1.35
	1.4-1.7	
	2.2-2.6	
	2.7-3.1	

MECHANICAL SPECIFICATIONS

Connectors	Brass Nickel Plated
Male Pin	Brass Gold Plated
Female Pin	Beryllium Copper Gold Plated
Housing	Aluminum, Powder Coat
Temp Range	-40°C ~ +45°C
Dimensions	600×500×1250mm
Weight	110Kg

NOMINAL IMPEDANCE: 50Ω

AVERAGE POWER: 4000W

PEAK POWER: 40KW

COOLING METHOD: forced draft

CONNECTOR TYPE: 7/16

Notes:

1. Dimensions Tolerance ±3%