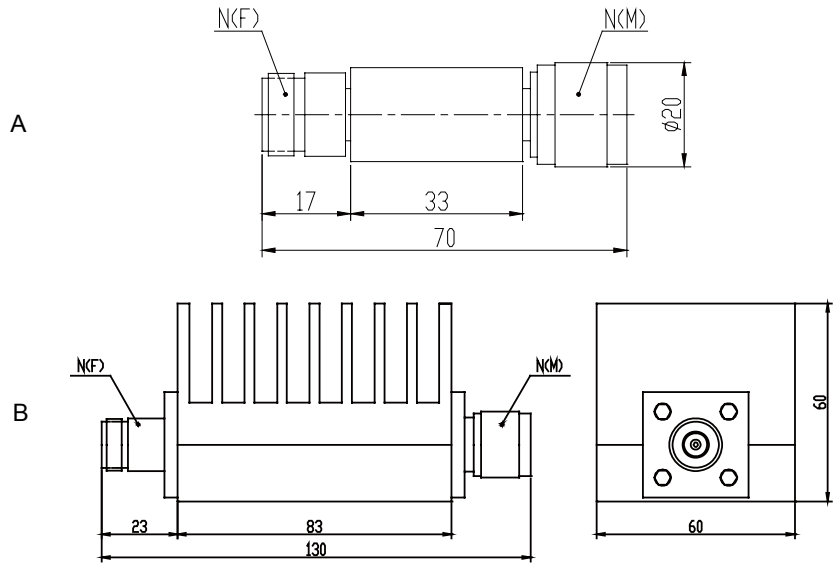


Model TZ 50Ω/75Ω 2/5/50 Watts DC-3GHz



TZ2,TZ5,TZ50 50Ω/75Ω impedance converters are used to convert impedance of 75Ω components in 50Ω receive system with low VSWR and fixed attenuation, they can promote the separate performance to signal source.

MECHANICAL SPECIFICATIONS	
Connectors	Brass Nickel Plated
Male Pin	Brass Gold Plated
Female Pin	Beryllium Copper Gold Plated
Housing	Aluminum
Temp Range	Operating : -10°C~+50°C; Non-operating : -40°C~+70°C
Dimensions	TZ2/5: Ø20×70mm; TZ50: 130×60×60mm
Weight	TZ2/5:65g ; TZ50:510g

RoHS Compliant: Yes

ELECTRICAL SPECIFICATIONS

Model Number	Frequency Range(GHz)	Insertion Loss(dB)	Return Loss(dB)	Typical Flatness(dB)
TZ2	DC-1.3	5.7	1.06	≤0.10
TZ5	DC-1.3		1.06	
TZ50	DC-1.3		1.20	
TZ2	DC-3		1.15	≤0.15
TZ5	DC-3		1.15	
TZ50	DC-3		1.25	

NOMINAL IMPEDANCE: 50Ω

CONNECTOR TYPE: N, BNC

AVERAGE POWER: 2W, 5W, 50W

Notes:

1. Dimensions Tolerance ±2%
2. Dimensions and specifications refer to connector type N unless otherwise specified.