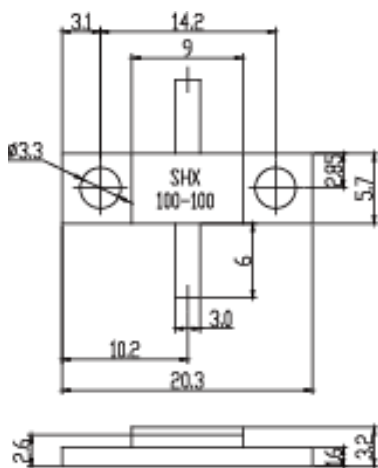


Model SHX100-100RL

High Power Resistors

100Watts DC-2GHz



SPECIFICATIONS

Standard Resistance: 100Ω

Capacitance: 1.4pF

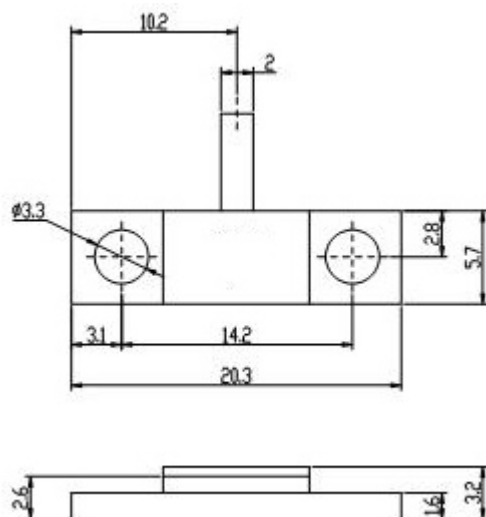
Temperature Range: 0.28 °C/W

Dimensions: 20.3×5.7×3.2mm

Model SHX100-50TG

High Power Resistors

100Watts DC-2GHz



SPECIFICATIONS

Max VSWR: ≤1.35

Standard Resistance: 50 Ω

Capacitance: 1.4pF

Temperature Range: 0.28 °C/W

Dimensions: 20.3×5.7×3.2mm

Note:1、 Resistance tolerance: standard tolerance ±5%,±2%.

2、 Resistance range: 0.5-20000Ω, standard 50-100Ω.

3、 Use additional lumped element and matched line to get lower VSWR.

4、 Operation board and lead can be made according to customer's demand.

5、 Machining tolerance is ±0.10, shortest lead length is 3.8mm, except special note.

6、 Resistances without bottom board are expressed with -W at the end of model no.

7、 Custom designed for special demand.