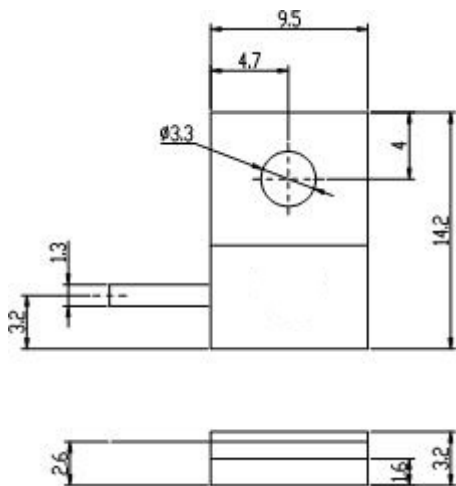


Model SHX50-50TCG

High Power Resistors

50Watts DC-2GHz



SPECIFICATIONS

Max VSWR: ≤ 1.35

Standard Resistance: 50 Ω

Capacitance: 0.75pF

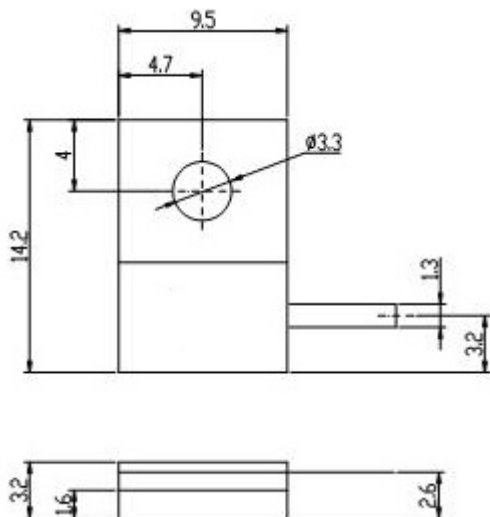
Temperature Range: 0.2 °C/W

Dimensions: 14.2×9.5×3.2mm

Model SHX50-50TCGR

High Power Resistors

50Watts DC-2GHz



SPECIFICATIONS

Max VSWR: ≤ 1.35

Standard Resistance: 50 Ω

Capacitance: 0.75pF

Temperature Range: 0.2 °C/W

Dimensions: 14.2×9.5×3.2mm

Note:1、 Resistance tolerance: standard tolerance $\pm 5\%$, $\pm 2\%$.

2、 Resistance range: 0.5-20000 Ω , standard 50-100 Ω .

3、 Use additional lumped element and matched line to get lower VSWR.

4、 Operation board and lead can be made according to customer's demand.

5、 Machining tolerance is ± 0.10 , shortest lead length is 3.8mm, except special note.

6、 Resistances without bottom board are expressed with -W at the end of model no.

7、 Custom designed for special demand.