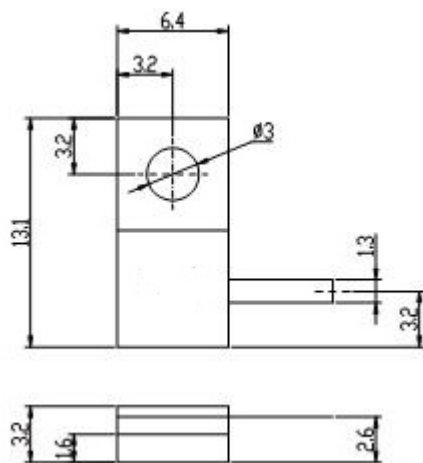


Model SHX20-50TPN

High Power Resistors

20Watts DC-2GHz



SPECIFICATIONS

Max VSWR: ≤ 1.25

Standard Resistance: 50 Ω

Capacitance: 0.2pF

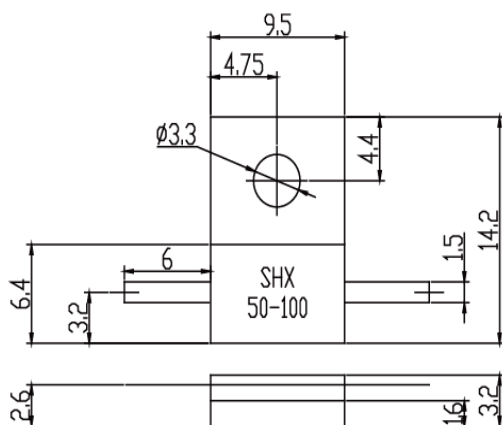
Temperature Range: 0.68 $^{\circ}\text{C/W}$

Dimensions: 13.1 \times 6.4 \times 3.2mm

Model SHX50-100RCG

High Power Resistors

50Watts DC-2GHz



SPECIFICATIONS

Standard Resistance: 100 Ω

Capacitance: 0.75pF

Temperature Range: 0.2 $^{\circ}\text{C/W}$

Dimensions: 14.2 \times 9.5 \times 3.2mm

Note:1、 Resistance tolerance: standard tolerance $\pm 5\%$, $\pm 2\%$.

2、 Resistance range: 0.5-20000 Ω , standard 50-100 Ω .

3、 Use additional lumped element and matched line to get lower VSWR.

4、 Operation board and lead can be made according to customer's demand.

5、 Machining tolerance is ± 0.10 , shortest lead length is 3.8mm, except special note.

6、 Resistances without bottom board are expressed with -W at the end of model no.

7、 Custom designed for special demand.