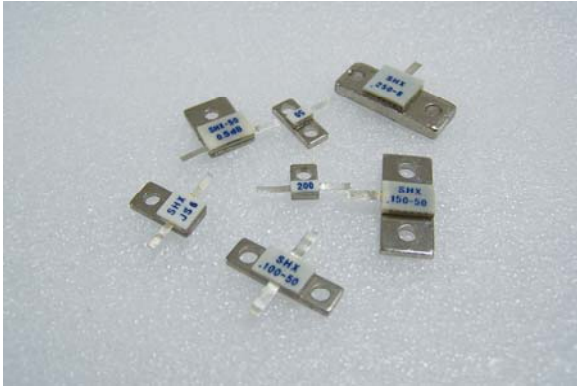


# Integrated Attenuators & Resistors



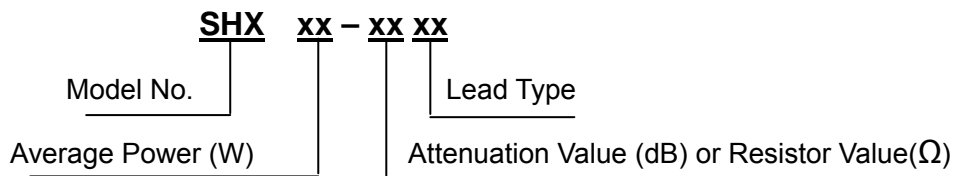
- ◇ DC-4GHz, 10-250W
- ◇ 0-20dB with Flatness Attenuation Accuracy
- ◇ Resistor Value 0.5-20000Ω, Standard Value 50~100Ω
- ◇ Low VSWR, High Reliability and Stability
- ◇ Flange or Flangeless Mount
- ◇ Custom Designs Available

## Description

Integrated attenuators are used to control the power of microwave signals and are installed in machines or sealed in microwave circuit, it is small with high accuracy and high stability.

High power resistors are used as balance resistors on allotter or as absorption edge in hybrid and coupler. They feature broadband frequency, low VSWR, excellent capacity in anti-pulse and anti-burnout etc.







## Order Information



Please confirm with us the main parameters of integrated attenuators & resistors such as average power, attenuation value(or resistor value), frequency range, lead type and dimensions Type, or your special demand.

## Integrated Attenuators

### Integrated Attenuators...10W-100W DC-4GHz

Model Number	Average Power (W)	Frequency Range (GHz)	VSWR	Attenuation Value & Accuracy (dB)	Dimensions (mm)	Page No	Pictures
SHX10-xxJS	10	DC-4	$\leq 1.35$	0.5-9dB $\pm 0.5$ dB 10-20dB $\pm 1$ dB	5 $\times$ 7.6 $\times$ 3.6	14-6	
SHX20-xxJS	20	DC-4	$\leq 1.5$	0.5-9dB $\pm 0.5$ dB 10-20dB $\pm 1$ dB	13.1 $\times$ 6.4 $\times$ 3.6	14-6	
SHX50-xxJS	50	DC-4	$\leq 1.5$	0.5-9dB $\pm 0.5$ dB 10-20dB $\pm 1$ dB	20.3 $\times$ 5.7 $\times$ 3.6	14-7	
SHX50L-xxJS	50	DC-3	$\leq 1.5$	0.5-9dB $\pm 0.5$ dB 10-20dB $\pm 1$ dB	20.8 $\times$ 6.4 $\times$ 3.8	14-7	
SHX50G-xxJS	50	DC-3	$\leq 1.5$	0.5-9dB $\pm 0.5$ dB 10-20dB $\pm 1$ dB	24.8 $\times$ 9.5 $\times$ 5.3	14-8	
SHX100-xxJS	100	DC-2.5	$\leq 1.4$	0.5-9dB $\pm 0.5$ dB 10-20dB $\pm 1$ dB	24.8 $\times$ 9.5 $\times$ 5.3	14-8	

Note: xx refer to average power in W

Custom designed for attenuation value and accuracy, attenuation accuracy in narrow band could reach  $\pm 0.2$ dB










## High Power Resistors

### High Power Resistors...10W-250W DC-4GHz

Model Number	Average Power (W)	Standard Resistance (Ω)	VSWR	Frequency Range (GHz)	Capacitance (pF)	Temp. Rise (°C/W)	Dimensions (mm)	Page No	Pictures
SHX-10-100RV	10	100	/	DC-4	0.75	0.68	7.6×5×3.2	14-9	
SHX-10-50TV	10	50	1.3:1	DC-4	0.75	0.68	7.6×5×3.2	14-9	
SHX-10-50TVR	10	50	1.3:1	DC-4	0.75	0.68	7.6×5×3.2	14-10	
SHX-10-100RVV	10	100	/	DC-4	0.75	0.68	12.7×5×3.2	14-10	
SHX-10-50TVV	10	50	1.3:1	DC-4	0.75	0.68	12.7×5×3.2	14-11	
SHX-10-100RP	10	100	/	DC-3	0.75	0.68	8.5×4×3	14-11	
SHX-10-50TP	10	50	1.3:1	DC-6	0.75	0.68	8.5×4×3	14-12	
SHX-10-50TPC	10	50	1.3:1	DC-6	0.75	0.68	8.5×4×3	14-12	
SHX-10-50TPN	10	50	1.3:1	DC-6	0.75	0.68	8.5×4×3	14-13	
SHX-20-100RP	20	100	/	DC-2	0.2	0.68	13.1×6.4×3.2	14-13	
SHX-20-50TP	20	50	1.25:1	DC-2	0.2	0.68	13.1×6.4×3.2	14-14	
SHX-20-50TPC	20	50	1.25:1	DC-2	0.2	0.68	13.1×6.4×3.2	14-14	
SHX-20-50TPN	20	50	1.25:1	DC-2	0.2	0.68	13.1×6.4×3.2	14-15	

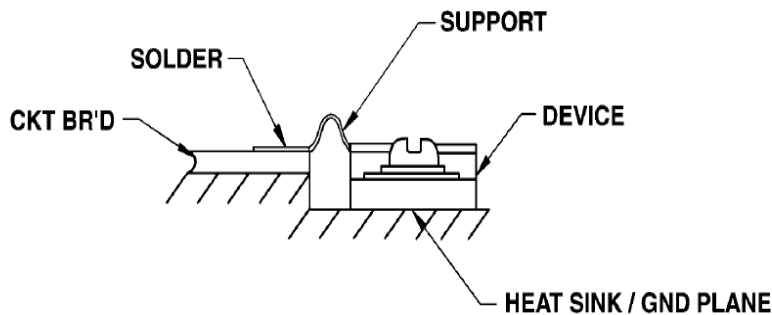
## High Power Resistors

### High Power Resistors...10W-250W DC-4GHz

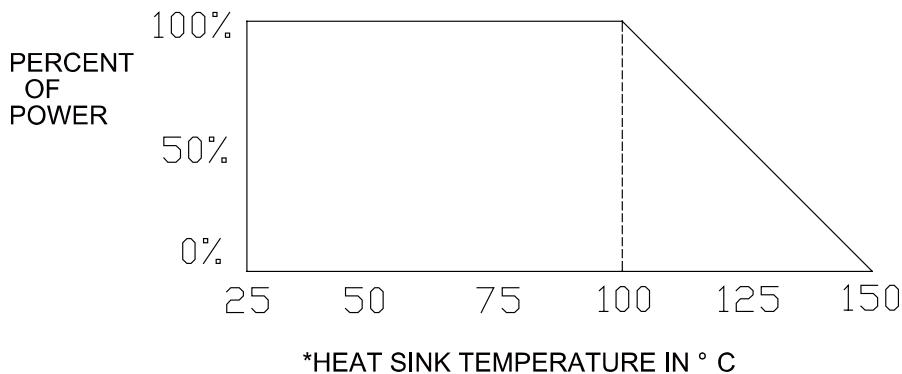
Model Number	Average Power (W)	Standard Resistance ( $\Omega$ )	VSWR	Frequency Range (GHz)	Capacitance (pF)	Temp. Rise ( $^{\circ}\text{C/W}$ )	Dimensions (mm)	Page No	Pictures
SHX-50-100RCG	50	100	/	DC-2	0.75	0.2	14.2×9.5×3.2	14-15	
SHX-50-50TCG	50	50	1.35:1	DC-2	0.75	0.2	14.2×9.5×3.2	14-16	
SHX-50-50TCGR	50	50	1.35:1	DC-2	0.75	0.2	14.2×9.5×3.2	14-16	
SHX-100-100RL	100	100	/	DC-2	1.4	0.28	20.3×5.7×3.2	14-17	
SHX-100-50TG	100	50	1.35:1	DC-2	1.4	0.28	20.3×5.7×3.2	14-17	
SHX-150-100RCG	150	100	/	DC-1	3.5	0.2	22.1×9.5×3.2	14-18	
SHX-150-100TCG	150	100	/	DC-1	3.5	0.2	22.1×9.5×3.2	14-18	
SHX-250-100RM	250	100	/	DC-1	3.5	0.2	24.8×9.5×5.3	14-19	
SHX-250-50TC	250	50	1.35:1	DC-1	3.5	0.2	24.8×9.5×5.3	14-19	

## Mounting Integrated Attenuators and High Power Resistors

- 1、 The area under the device should be flat, less than 0.25mm preferred.
- 2、 The mounting surface should be free of all burrs and scratches that could cause air spaces between the flange and heat sink.
- 3、 Prior to drilling and tapping threads for the mounting screws, countersinking the locations is recommended. This operation will prevent raising the threads above the mounting surface while tapping. The heat sink can now be given a coat of thermal grease, keeping the thickness to about 0.25-0.5mm.
- 4、 The thermal grease will fill any small air spaces helping to maintain good thermal contact. Before mounting the device a small strain relief loop can be formed within the tab. When forming the strain relief loop, the tab should be supported to prevent excessive force toward the cover substrate.
- 5、 Seat the device into the thermal grease, install screws with a lock and flat washer, and torque
- 6、 Position the tab over the circuit and solder in place. Eutectic solder such as Sn63 is recommended for all solder operations.



## Power Handling

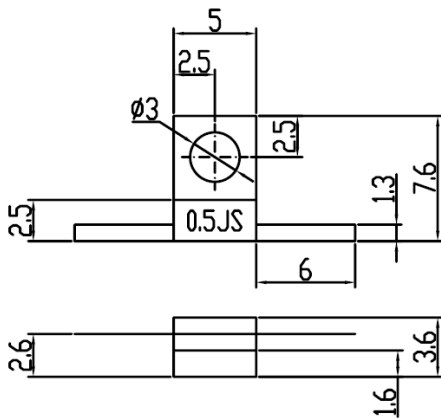


\*The heat sink temperature is defined as the surface the Chip Component is attached to such as printed circuit board.

**Model SHX10-XXJS**

**Integrated Attenuators**

**10Watts DC-4GHz**



**SPECIFICATIONS**

**Impedance:** 50Ω

**Max VSWR:** ≤1.35

**Attenuation Value & Accuracy:**

0.5-9dB±0.5dB\* 10-20dB±1dB\*

**Dimensions:** 7.6×5×3.6mm



**Model SHX20-XXJS**

**Integrated Attenuators**

**20 Watts DC-4GHz**

**SPECIFICATIONS**

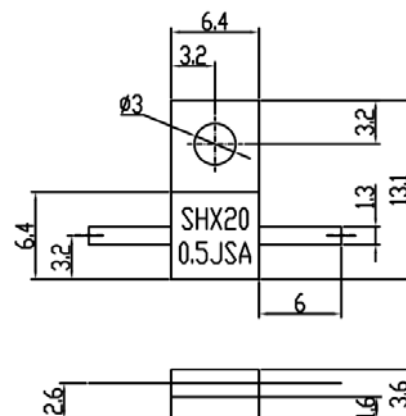
**Impedance:** 50Ω

**Max VSWR:** ≤1.5

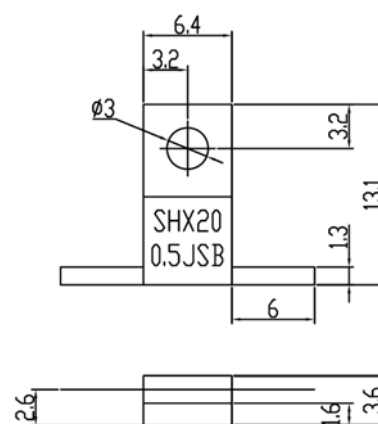
**Attenuation Value & Accuracy:**

0.5-9dB±0.5dB\* 10-20dB±1dB\*

**Dimensions:** 13.1×5.7×3.6mm



SHX20-XXJSA(with lead in the middle)



SHX20-XXJSB(with lead at the bottom)

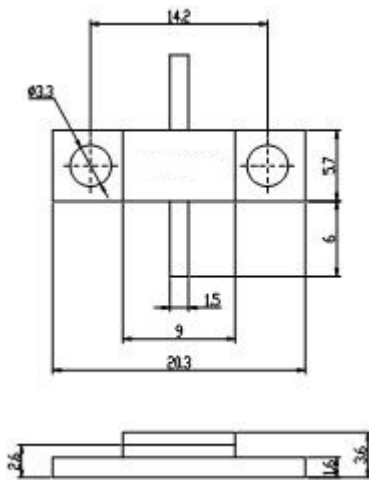
**Model SHX50-XX-JS**  
**Integrated Attenuators**  
**50 Watts DC-4GHz**

**Impedance:** 50Ω

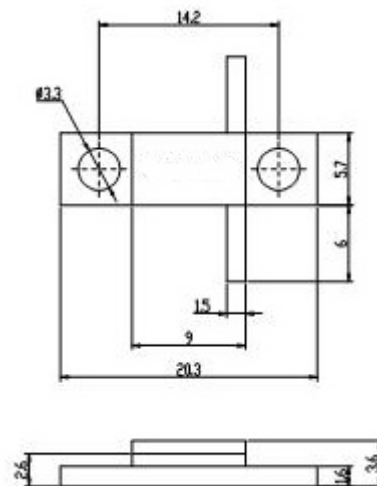
**Max VSWR:** ≤1.5

**Attenuation Value & Accuracy:**  
 0.5-9dB±0.5dB\* 10-20dB±1dB\*

**Dimensions:** 20.3×5.7×3.6mm



SHX50-XX-JSA(引线在中间)



SHX50-XX-JSB(引线在底部)

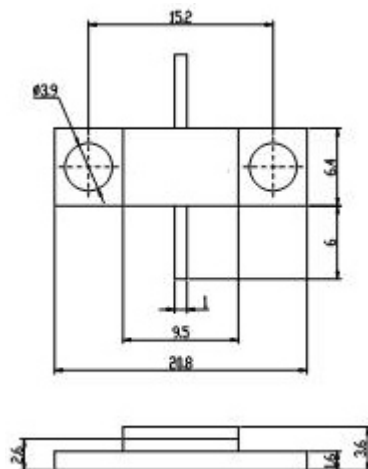
**Model SHX50L-XX-JS**  
**Integrated Attenuators**  
**50Watts DC-3GHz**

**Impedance:** 50Ω

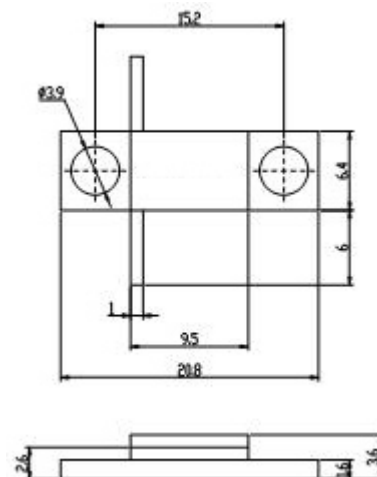
**Max VSWR:** ≤1.5

**Attenuation Value & Accuracy:**  
 0.5-9dB±0.5dB\* 10-20dB±1dB\*

**Dimensions:** 20.8×6.4×3.8mm



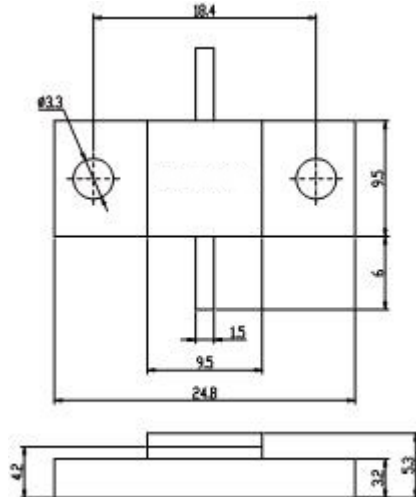
SHX50L-XX-JSA(引线在中间)



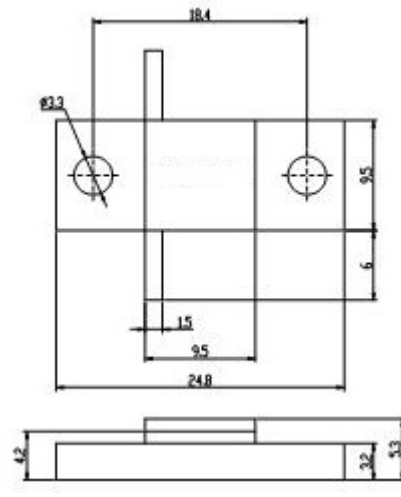
SHX50L-XX-JSB(引线在底部)

**Model SHX50G-XXJS**  
**Integrated Attenuators**  
**50 Watts DC-3GHz**

**Impedance:** 50Ω  
**Max VSWR:** ≤1.5  
**Attenuation Value & Accuracy:**  
 0.5-9dB±0.5dB\* 10-20dB±1dB\*  
**Dimensions:** 24.8×9.5×5.3mm



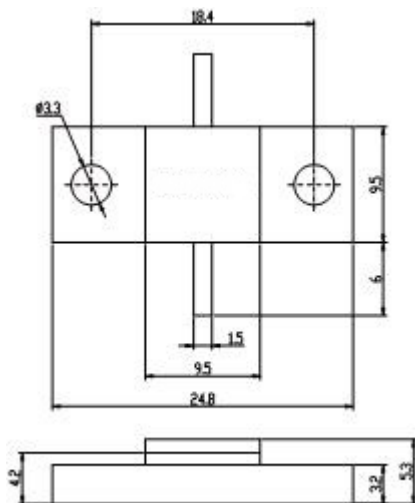
SHX50G-XXJSA(Lead in the middle)



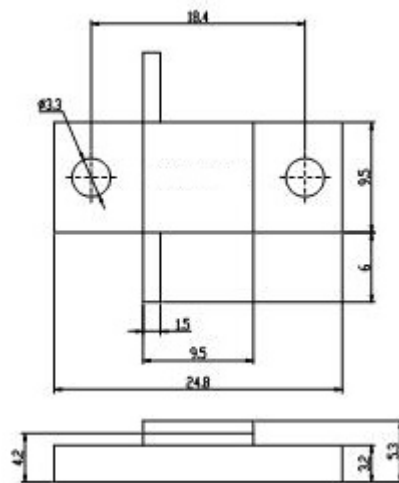
SHX50G-XXJSB(Lead at the bottom)

**Model SHX100-XXJS**  
**Integrated Attenuators**  
**100 Watts DC-2.5GHz**

**Impedance:** 50Ω  
**Max VSWR:** ≤1.4  
**Attenuation Value & Accuracy:**  
 0.5-9dB±0.5dB\* 10-20dB±1dB\*  
**Dimensions:** 24.8×9.5×5.3mm



SHX100-XXJSA(Lead in the middle)



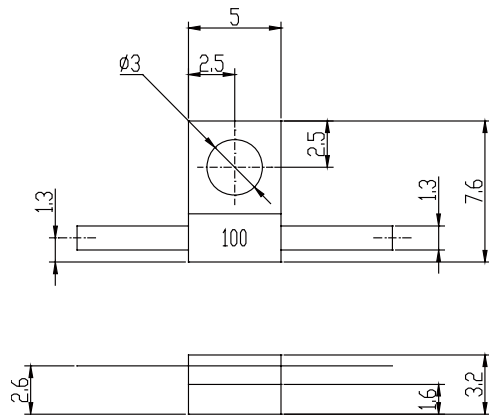
SHX100-XXJSB(Lead at the bottom)



**Model SHX10-100RV**

**High Power Resistors**

**10Watts DC-4GHz**



**SPECIFICATIONS**

**Standard Resistance:** 100Ω

**Capacitance:** 0.75pF

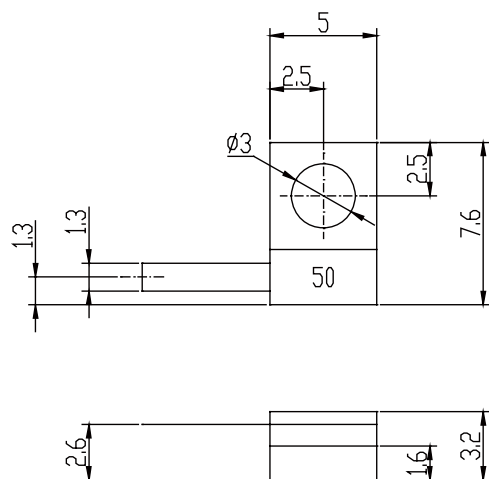
**Temperature Range:** 0.68 °C/W

**Dimensions:** 7.6×5×3.2mm

**Model SHX10-50TV**

**High Power Resistors**

**10Watts DC-4GHz**



**SPECIFICATIONS**

**Max VSWR:** ≤1.3

**Standard Resistance:** 50Ω

**Capacitance:** 0.75pF

**Temperature Range:** 0.68 °C/W

**Dimensions:** 7.6×5×3.2mm

Note:1、 Resistance tolerance: standard tolerance ±5%,±2%.

2、 Resistance range: 0.5-20000Ω, standard 50-100Ω.

3、 Use additional lumped element and matched line to get lower VSWR.

4、 Operation board and lead can be made according to customer's demand.

5、 Machining tolerance is ±0.10, shortest lead length is 3.8mm, except special note.

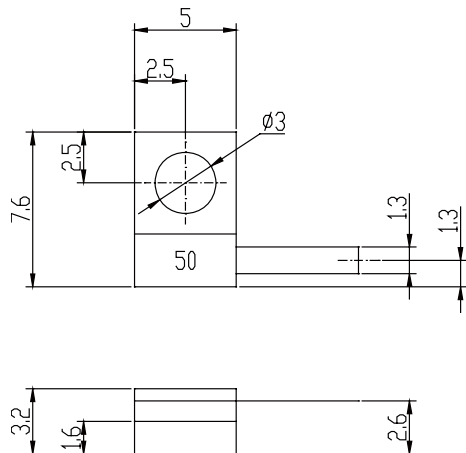
6、 Resistances without bottom board are expressed with -W at the end of model no.

7、 Custom designed for special demand.

**Model SHX10-50TVR**

**High Power Resistors**

**10Watts DC-4GHz**



**SPECIFICATIONS**

**Max VSWR:**  $\leq 1.3$

**Standard Resistance:** 50 $\Omega$

**Capacitance:** 0.75pF

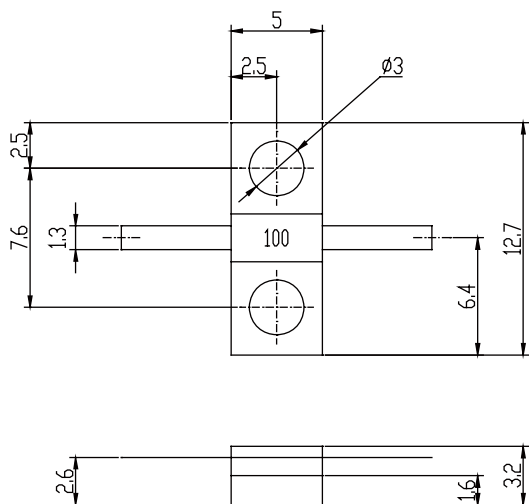
**Temperature Range:** 0.68  $^{\circ}\text{C/W}$

**Dimensions:** 7.6 $\times$ 5 $\times$ 3.2mm

**Model SHX10-100RVV**

**High Power Resistors**

**10Watts DC-4GHz**



**SPECIFICATIONS**

**Standard Resistance:** 100 $\Omega$

**Capacitance:** 0.75pF

**Temperature Range:** 0.68  $^{\circ}\text{C/W}$

**Dimensions:** 12.7 $\times$ 5 $\times$ 3.2mm

Note:1、 Resistance tolerance: standard tolerance  $\pm 5\%$ ,  $\pm 2\%$ .

2、 Resistance range: 0.5-20000 $\Omega$ , standard 50-100 $\Omega$ .

3、 Use additional lumped element and matched line to get lower VSWR.

4、 Operation board and lead can be made according to customer's demand.

5、 Machining tolerance is  $\pm 0.10$ , shortest lead length is 3.8mm, except special note.

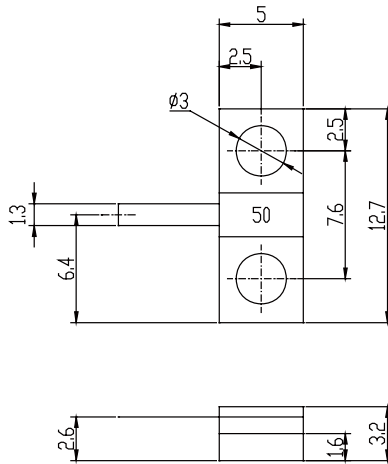
6、 Resistances without bottom board are expressed with -W at the end of model no.

7、 Custom designed for special demand.

**Model SHX10-50TVV**

**High Power Resistors**

**10Watts DC-4GHz**



**SPECIFICATIONS**

**Max VSWR:**  $\leq 1.3$

**Standard Resistance:** 50 $\Omega$

**Capacitance:** 0.75pF

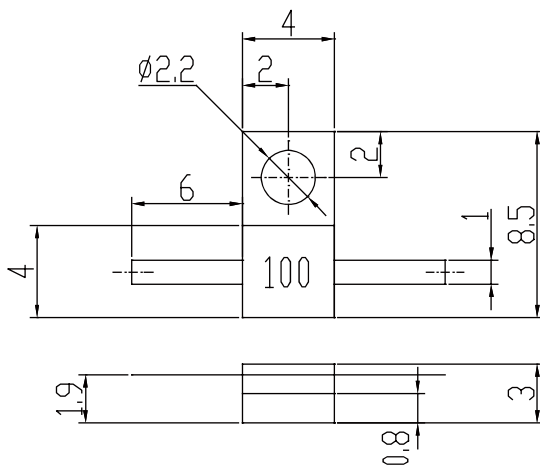
**Temperature Range:** 0.68  $^{\circ}\text{C/W}$

**Dimensions:** 12.7 $\times$ 5 $\times$ 3.2mm

**Model SHX10-100RP**

**High Power Resistors**

**10Watts DC-3GHz**



**SPECIFICATIONS**

**Standard Resistance:** 100 $\Omega$

**Capacitance:** 0.75pF

**Temperature Range:** 0.68  $^{\circ}\text{C/W}$

**Dimensions:** 8.5 $\times$ 4 $\times$ 3mm

Note:1、 Resistance tolerance: standard tolerance  $\pm 5\%$ ,  $\pm 2\%$ .

2、 Resistance range: 0.5-20000 $\Omega$ , standard 50-100 $\Omega$ .

3、 Use additional lumped element and matched line to get lower VSWR.

4、 Operation board and lead can be made according to customer's demand.

5、 Machining tolerance is  $\pm 0.10$ , shortest lead length is 3.8mm, except special note.

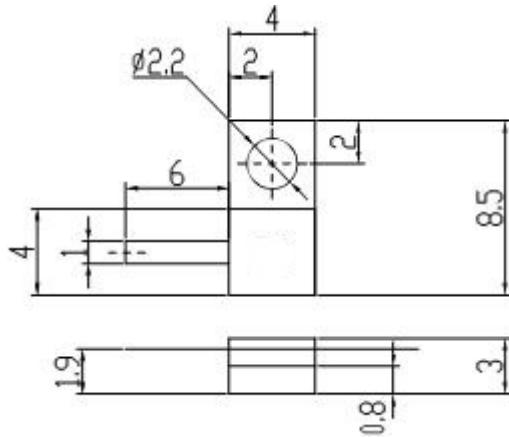
6、 Resistances without bottom board are expressed with -W at the end of model no.

7、 Custom designed for special demand.

**Model SHX10-50-TP**

**High Power Resistors**

**10Watts DC-6GHz**



**SPECIFICATIONS**

**Max VSWR:**  $\leq 1.3$

**Standard Resistance:** 50 $\Omega$

**Capacitance:** 0.75pF

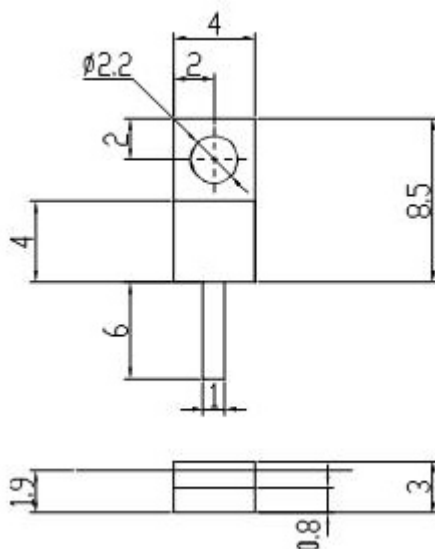
**Temperature Range:** 0.68  $^{\circ}\text{C/W}$

**Dimensions:** 8.5 $\times$ 4 $\times$ 3mm

**Model SHX10-50-TPC**

**High Power Resistors**

**10Watts DC-6GHz**



**SPECIFICATIONS**

**Max VSWR:**  $\leq 1.3$

**Standard Resistance:** 50 $\Omega$

**Capacitance:** 0.75pF

**Temperature Range:** 0.68  $^{\circ}\text{C/W}$

**Dimensions:** 8.5 $\times$ 4 $\times$ 3mm

Note:1、 Resistance tolerance: standard tolerance  $\pm 5\%$ ,  $\pm 2\%$ .

2、 Resistance range: 0.5-20000 $\Omega$ , standard 50-100 $\Omega$ .

3、 Use additional lumped element and matched line to get lower VSWR.

4、 Operation board and lead can be made according to customer's demand.

5、 Machining tolerance is  $\pm 0.10$ , shortest lead length is 3.8mm, except special note.

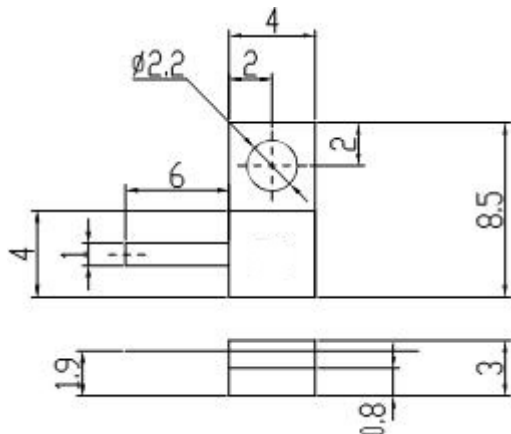
6、 Resistances without bottom board are expressed with -W at the end of model no.

7、 Custom designed for special demand.

**Model SHX10-50TPN**

**High Power Resistors**

**10Watts DC-6GHz**



**SPECIFICATIONS**

**Max VSWR:**  $\leq 1.3$

**Standard Resistance:** 50 $\Omega$

**Capacitance:** 0.75pF

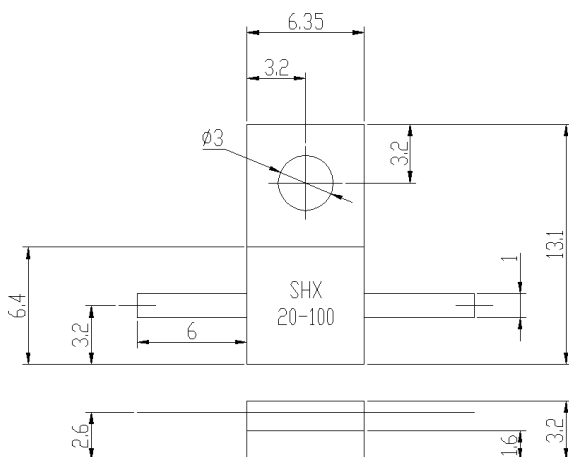
**Temperature Range:** 0.68  $^{\circ}\text{C/W}$

**Dimensions:** 8.5 $\times$ 4 $\times$ 3mm

**Model SHX20-100RP**

**High Power Resistors**

**20Watts DC-2GHz**



**SPECIFICATIONS**

**Max VSWR:**  $\leq 1.25$

**Standard Resistance:** 100 $\Omega$

**Capacitance:** 0.2pF

**Temperature Range:** 0.68  $^{\circ}\text{C/W}$

**Dimensions:** 13.1 $\times$ 6.4 $\times$ 3.2mm

Note:1、 Resistance tolerance: standard tolerance  $\pm 5\%$ ,  $\pm 2\%$ .

2、 Resistance range: 0.5-20000 $\Omega$ , standard 50-100 $\Omega$ .

3、 Use additional lumped element and matched line to get lower VSWR.

4、 Operation board and lead can be made according to customer's demand.

5、 Machining tolerance is  $\pm 0.10$ , shortest lead length is 3.8mm, except special note.

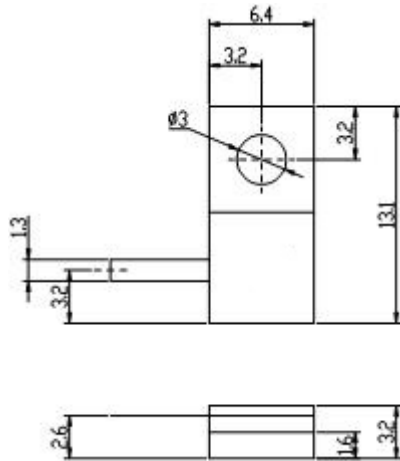
6、 Resistances without bottom board are expressed with -W at the end of model no.

7、 Custom designed for special demand.

**Model SHX20-50TP**

**High Power Resistors**

**20Watts DC-2GHz**



**SPECIFICATIONS**

**Max VSWR:**  $\leq 1.25$

**Standard Resistance:** 50 $\Omega$

**Capacitance:** 0.2pF

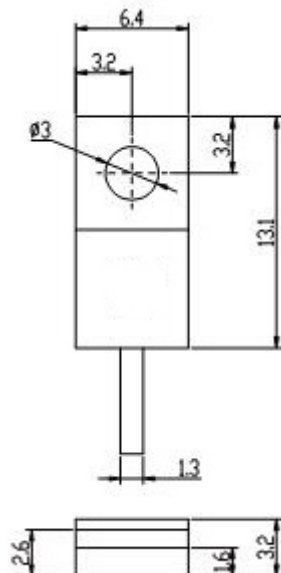
**Temperature Range:** 0.68  $^{\circ}\text{C/W}$

**Dimensions:** 13.1 $\times$ 6.4 $\times$ 3.2mm

**Model SHX20-50TPC**

**High Power Resistors**

**20Watts DC-2GHz**



**SPECIFICATIONS**

**Max VSWR:**  $\leq 1.25$

**Standard Resistance:** 50  $\Omega$

**Capacitance:** 0.2pF

**Temperature Range:** 0.68  $^{\circ}\text{C/W}$

**Dimensions:** 13.1 $\times$ 6.4 $\times$ 3.2mm

Note:1、 Resistance tolerance: standard tolerance  $\pm 5\%$ ,  $\pm 2\%$ .

2、 Resistance range: 0.5-20000 $\Omega$ , standard 50-100 $\Omega$ .

3、 Use additional lumped element and matched line to get lower VSWR.

4、 Operation board and lead can be made according to customer's demand.

5、 Machining tolerance is  $\pm 0.10$ , shortest lead length is 3.8mm, except special note.

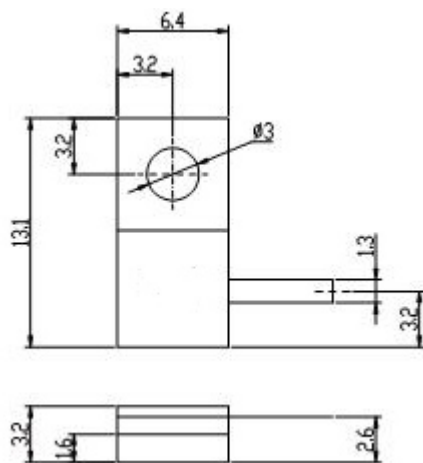
6、 Resistances without bottom board are expressed with -W at the end of model no.

7、 Custom designed for special demand.

**Model SHX20-50TPN**

**High Power Resistors**

**20Watts DC-2GHz**



**SPECIFICATIONS**

**Max VSWR:**  $\leq 1.25$

**Standard Resistance:** 50 $\Omega$

**Capacitance:** 0.2pF

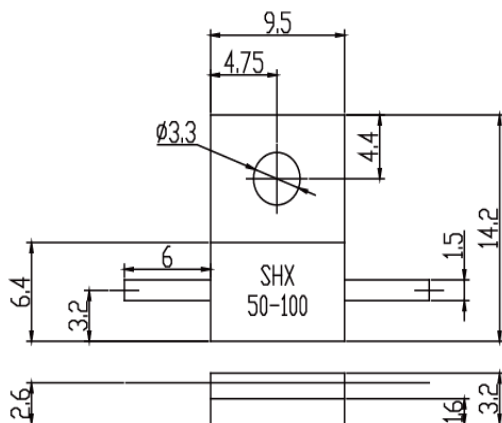
**Temperature Range:** 0.68  $^{\circ}\text{C/W}$

**Dimensions:** 13.1 $\times$ 6.4 $\times$ 3.2mm

**Model SHX50-100RCG**

**High Power Resistors**

**50Watts DC-2GHz**



**SPECIFICATIONS**

**Standard Resistance:** 100 $\Omega$

**Capacitance:** 0.75pF

**Temperature Range:** 0.2  $^{\circ}\text{C/W}$

**Dimensions:** 14.2 $\times$ 9.5 $\times$ 3.2mm

Note:1、 Resistance tolerance: standard tolerance  $\pm 5\%$ ,  $\pm 2\%$ .

2、 Resistance range: 0.5-20000 $\Omega$ , standard 50-100 $\Omega$ .

3、 Use additional lumped element and matched line to get lower VSWR.

4、 Operation board and lead can be made according to customer's demand.

5、 Machining tolerance is  $\pm 0.10$ , shortest lead length is 3.8mm, except special note.

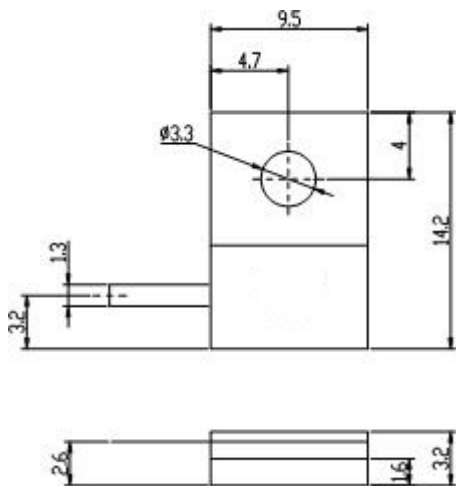
6、 Resistances without bottom board are expressed with -W at the end of model no.

7、 Custom designed for special demand.

**Model SHX50-50TCG**

**High Power Resistors**

**50Watts DC-2GHz**



**SPECIFICATIONS**

**Max VSWR:**  $\leq 1.35$

**Standard Resistance:** 50 $\Omega$

**Capacitance:** 0.75pF

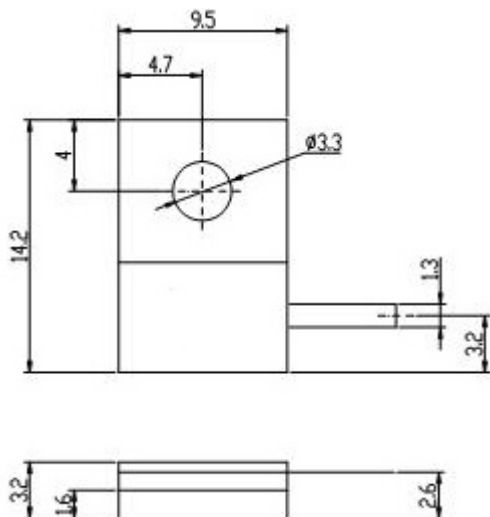
**Temperature Range:** 0.2 °C/W

**Dimensions:** 14.2×9.5×3.2mm

**Model SHX50-50TCGR**

**High Power Resistors**

**50Watts DC-2GHz**



**SPECIFICATIONS**

**Max VSWR:**  $\leq 1.35$

**Standard Resistance:** 50  $\Omega$

**Capacitance:** 0.75pF

**Temperature Range:** 0.2 °C/W

**Dimensions:** 14.2×9.5×3.2mm

Note:1、 Resistance tolerance: standard tolerance  $\pm 5\%$ ,  $\pm 2\%$ .

2、 Resistance range: 0.5-20000 $\Omega$ , standard 50-100 $\Omega$ .

3、 Use additional lumped element and matched line to get lower VSWR.

4、 Operation board and lead can be made according to customer's demand.

5、 Machining tolerance is  $\pm 0.10$ , shortest lead length is 3.8mm, except special note.

6、 Resistances without bottom board are expressed with -W at the end of model no.

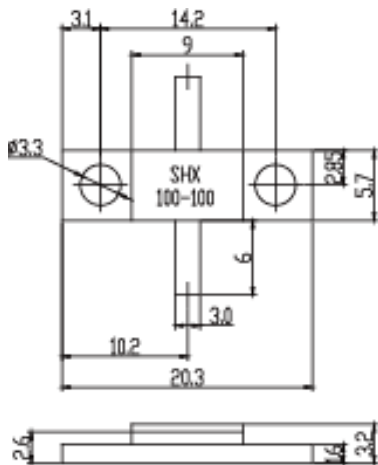
7、 Custom designed for special demand.



**Model SHX100-100RL**

**High Power Resistors**

**100Watts DC-2GHz**



**SPECIFICATIONS**

**Standard Resistance:** 100Ω

**Capacitance:** 1.4pF

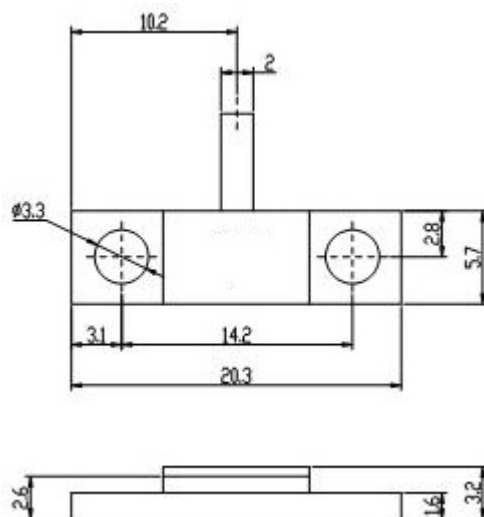
**Temperature Range:** 0.28 °C/W

**Dimensions:** 20.3×5.7×3.2mm

**Model SHX100-50TG**

**High Power Resistors**

**100Watts DC-2GHz**



**SPECIFICATIONS**

**Max VSWR:** ≤1.35

**Standard Resistance:** 50 Ω

**Capacitance:** 1.4pF

**Temperature Range:** 0.28 °C/W

**Dimensions:** 20.3×5.7×3.2mm

Note:1、 Resistance tolerance: standard tolerance ±5%,±2%.

2、 Resistance range: 0.5-20000Ω, standard 50-100Ω.

3、 Use additional lumped element and matched line to get lower VSWR.

4、 Operation board and lead can be made according to customer's demand.

5、 Machining tolerance is ±0.10, shortest lead length is 3.8mm, except special note.

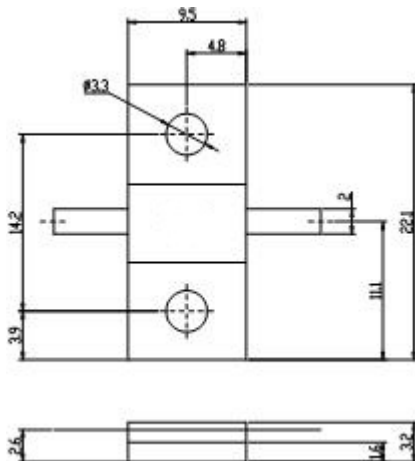
6、 Resistances without bottom board are expressed with -W at the end of model no.

7、 Custom designed for special demand.

**Model SHX150-100RCG**

**High Power Resistors**

**150Watts DC-1GHz**



**SPECIFICATIONS**

**Standard Resistance:** 100Ω

**Capacitance:** 3.5pF

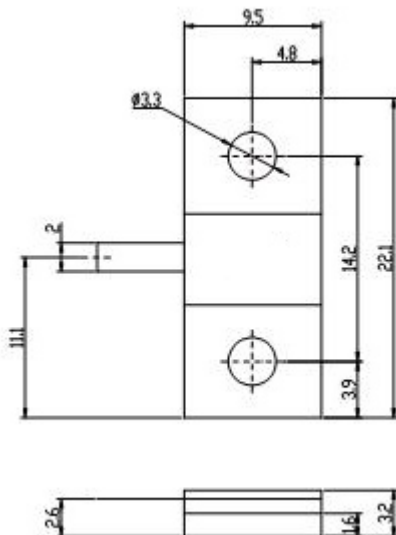
**Temperature Range:** 0.2 °C/W

**Dimensions:** 22.1×9.5×3.2mm

**Model SHX150-100TCG**

**High Power Resistors**

**150Watts DC-1GHz**



**SPECIFICATIONS**

**Standard Resistance:** 100 Ω

**Capacitance:** 3.5pF

**Temperature Range:** 0.28 °C/W

**Dimensions:** 22.1×9.5×3.2mm

Note:1、 Resistance tolerance: standard tolerance  $\pm 5\%$ ,  $\pm 2\%$ .

2、 Resistance range: 0.5-20000Ω, standard 50-100Ω.

3、 Use additional lumped element and matched line to get lower VSWR.

4、 Operation board and lead can be made according to customer's demand.

5、 Machining tolerance is  $\pm 0.10$ , shortest lead length is 3.8mm, except special note.

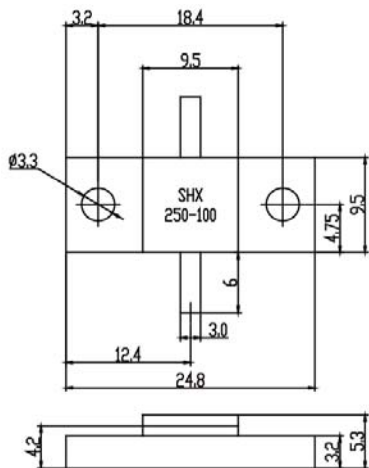
6、 Resistances without bottom board are expressed with -W at the end of model no.

7、 Custom designed for special demand.

**Model SHX250-100RM**

**High Power Resistors**

**250Watts DC-1GHz**



**SPECIFICATIONS**

**Standard Resistance:** 100Ω

**Capacitance:** 3.5pF

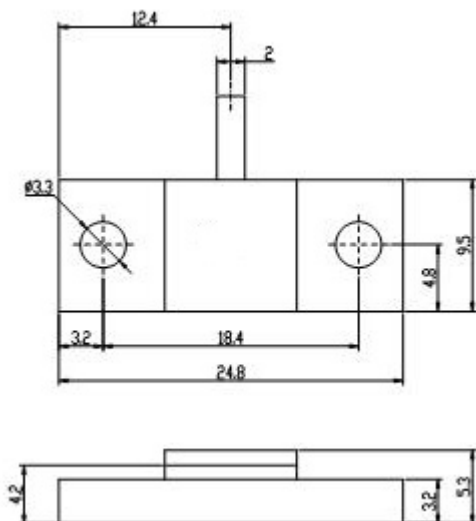
**Temperature Range:** 0.2 °C/W

**Dimensions:** 24.8×9.5×5.3mm

**Model SHX250-50TC**

**High Power Resistors**

**250Watts DC-1GHz**



**SPECIFICATIONS**

**Max VSWR:** ≤1.35

**Standard Resistance:** 50 Ω

**Capacitance:** 3.5pF

**Temperature Range:** 0.2 °C/W

**Dimensions:** 24.8×9.5×5.3mm

Note:1、 Resistance tolerance: standard tolerance ±5%,±2%.

2、 Resistance range: 0.5-20000Ω, standard 50-100Ω.

3、 Use additional lumped element and matched line to get lower VSWR.

4、 Operation board and lead can be made according to customer's demand.

5、 Machining tolerance is ±0.10, shortest lead length is 3.8mm, except special note.

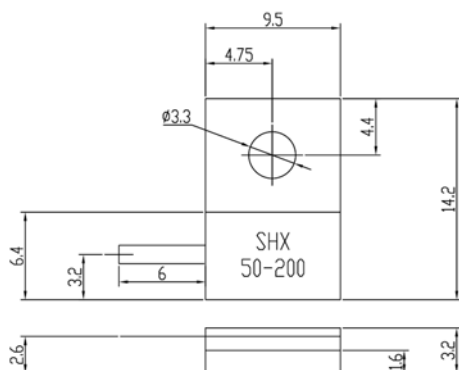
6、 Resistances without bottom board are expressed with -W at the end of model no.

7、 Custom designed for special demand.

**Model SHX-50-200RCG**

**High Power Resistors**

**50Watts DC-2GHz**



**SPECIFICATIONS**

**Standard Resistance:** 100Ω

**Capacitance:** 0.75pF

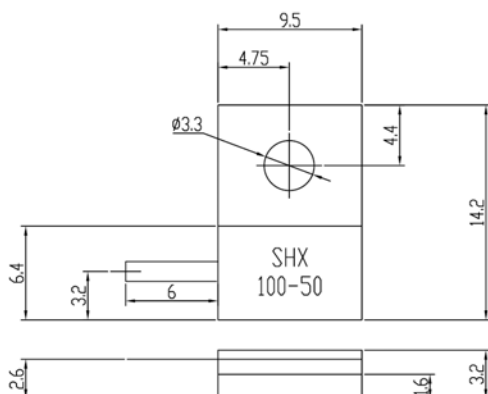
**Temperature Range:** 0.2 °C/W

**Dimensions:** 14.2×9.5×3.2mm

**Model SHX-100-50TV**

**High Power Resistors**

**100Watts DC-2GHz**



**SPECIFICATIONS**

**Max VSWR:** ≤1.35

**Standard Resistance:** 50 Ω

**Capacitance:** 1.4pF

**Temperature Range:** 0.28 °C/W

**Dimensions:** 14.2×9.5×3.2mm

Note:1、 Resistance tolerance: standard tolerance ±5%,±2%.

2、 Resistance range: 0.5-20000Ω, standard 50-100Ω.

3、 Use additional lumped element and matched line to get lower VSWR.

4、 Operation board and lead can be made according to customer's demand.

5、 Machining tolerance is ±0.10, shortest lead length is 3.8mm, except special note.

6、 Resistances without bottom board are expressed with -W at the end of model no.

7、 Custom designed for special demand.