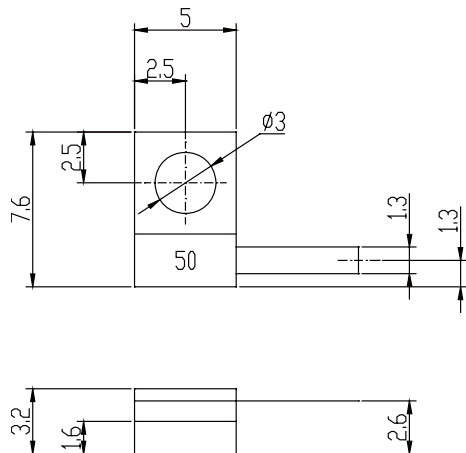


**Model SHX10-50TVR**

**High Power Resistors**

**10Watts DC-4GHz**



**SPECIFICATIONS**

**Max VSWR:**  $\leq 1.3$

**Standard Resistance:** 50 $\Omega$

**Capacitance:** 0.75pF

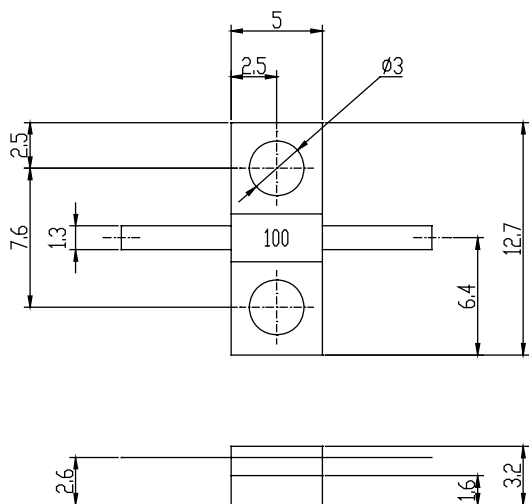
**Temperature Range:** 0.68  $^{\circ}\text{C/W}$

**Dimensions:** 7.6 $\times$ 5 $\times$ 3.2mm

**Model SHX10-100RVV**

**High Power Resistors**

**10Watts DC-4GHz**



**SPECIFICATIONS**

**Standard Resistance:** 100 $\Omega$

**Capacitance:** 0.75pF

**Temperature Range:** 0.68  $^{\circ}\text{C/W}$

**Dimensions:** 12.7 $\times$ 5 $\times$ 3.2mm

Note:1、 Resistance tolerance: standard tolerance  $\pm 5\%$ ,  $\pm 2\%$ .

2、 Resistance range: 0.5-20000 $\Omega$ , standard 50-100 $\Omega$ .

3、 Use additional lumped element and matched line to get lower VSWR.

4、 Operation board and lead can be made according to customer's demand.

5、 Machining tolerance is  $\pm 0.10$ , shortest lead length is 3.8mm, except special note.

6、 Resistances without bottom board are expressed with -W at the end of model no.

7、 Custom designed for special demand.