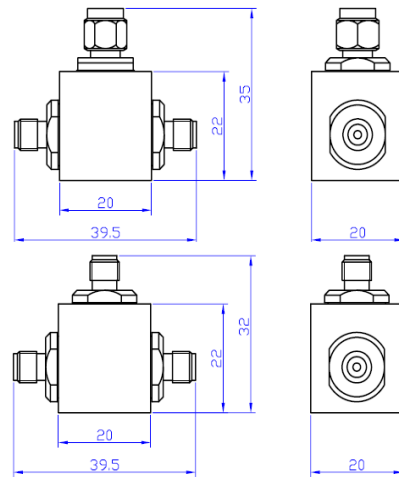


## Model SHX-GF2-2-18 DC-18GHz 1 Watts



SHX-GF2-X serial two-way resistive power splitters are used in broad-band transmission and reflect coefficient test by separating signals in order to test and accurately distribute one signal to one couple of antennas, with lab measurements the measuring signals can be traced to reference signals, providing an output signal whose impedance is essentially matched to 50Ω in a leveling loop. The features include: small dimensions and light, high power resistance and high temperature. Two outputs are equal and their insertion-losses are the same as 6dB in whole frequency range.

### MECHANICAL SPECIFICATIONS

Connectors	Male Pin	Female Pin	Housing	Temp Range	Dimensions	Weight
Brass Nickel Plated	Brass Gold Plated	Beryllium Copper Gold Plated	Brass Nickel Plated	-55°C~+125°C	SMA(F,F):40×20×32mm SMA(M,F):40×20×35mm	85g

**RoHS Compliant: Yes**

### ELECTRICAL SPECIFICATIONS

Model Number	Frequency Range(GHz)	Max VSWR	Insertion Loss(dB)	Maximum Extent Difference Between J2 & J3
SHX-GF2-2-18	DC-4	1.25	6±0.2	0.2
	4-10	1.25	6±0.4	0.4
	10-18	1.35	6 <sup>+1.25</sup> <sub>-0.5</sub>	0.4

**NOMINAL IMPEDANCE:** 50Ω

**AVERAGE POWER:** 1W

**PEAK POWER:** 1KW (5μs pulse width with 3% duty cycle)

**PORT NUMBER:** 3 ports, input can interchange output

**PHASIC DIFFERENCE:** 5°(maximum phasic difference between any output in J1, J2&J3)

**POWER CPEFFICIENT:** <0.005dB/dB/W

**TEMPERATURE CPEFFICIENT:** <0.0004dB/dB/°

### Notes:

1. Dimensions Tolerance ±2%
2. Custom design available.