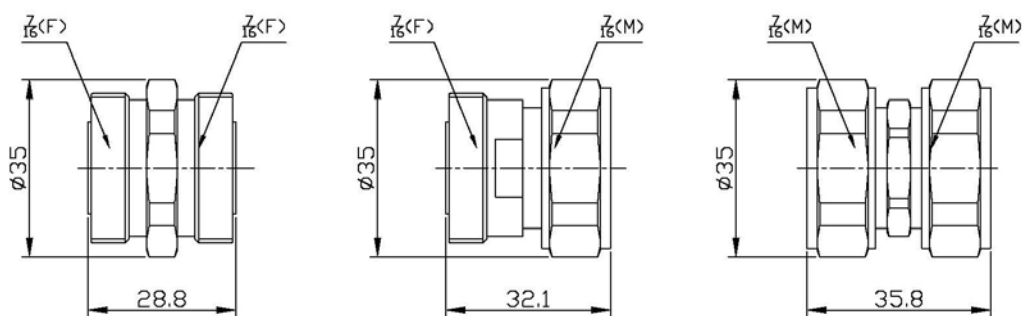


Model 7/16 (M,F) DC – 7.5GHz



Precision 7/16 serial adapters are high repeatability, low VSWR and low loss devices that operate from DC to 7.5 GHz. They offer all combinations for adapting. They are also useful as “test port and cable savers” when used with vector network analyzers with stable electricity performance.



MECHANICAL SPECIFICATIONS:

Connectors	Male Pin	Female Pin	Dimensions(mm)	Weight
Brass Nickel Plated	Brass Gold Plated	Beryllium Copper Gold Plated	Φ35×28.8 Φ35×32.1 Φ35×35.8	90~130g

RoHS Compliant: Yes

ELECTRICAL SPECIFICATIONS:

Model Number	Frequency Range (GHz)	Max VSWR	Insertion Loss(dB)
7/16 (F) –7/16 (F)	DC-7.5	1.20	0.3
7/16 (F) –7/16 (M)	DC-7.5	1.20	0.3
7/16 (M) –7/16 (M)	DC-7.5	1.20	0.3

NOMINAL IMPEDANCE: 50Ω

Temp Range: -55° C ~ +125° C

Notes:

1. Dimensions Tolerance ±2%
2. Custom designs available for other special accuracy.