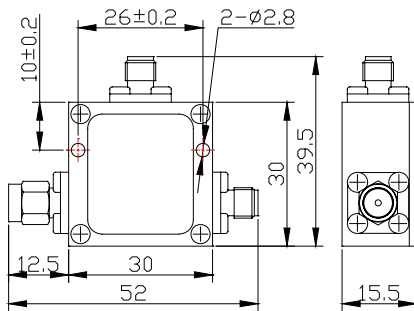
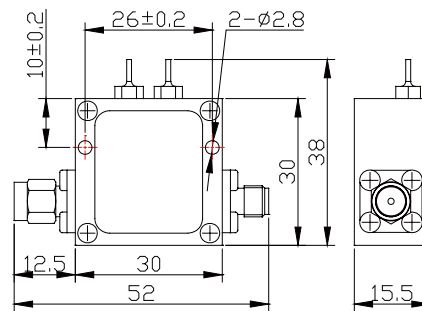


Model SHX-BT-X-S 0.01-4.2GHz 5 Watts


SHX-BT-S



SHX-BT-SC

SHX-BT-X-S Bias Tee provides both DC bias current and RF signal via bias network. The features include small size, light and flat frequency response, it is used in microwave measurement area such as amplifier, programmable attenuation and switch circuit etc.

MECHANICAL SPECIFICATIONS

Connectors	Male Pin	Female Pin	Housing	Temp Range	Dimensions	Weight
Brass Gold Plated	Brass Gold Plated	Beryllium Copper Gold Plated	Aluminum, Anodic Oxidation	-40°C~+65°C	S:52×39.5×15.5mm SC:52×38×15.5mm	S:45g SC:40g

RoHS Compliant: Yes
ELECTRICAL SPECIFICATIONS

Model Number	Frequency Range(GHz)	VSWR	Insertion Loss(dB)	Interface
SHX-BT-3-S	0.01-3	≤1.20	≤1.0	RF IN SMA(J) RF+DC OUT SMA(K) DC IN SMA(K)
SHX-BT-4.2-S	0.01-4.2	≤1.25	≤1.25	
SHX-BT-3-SC	0.01-3	≤1.20	≤1.0	RF IN SMA(J) RF+DC OUT SMA(K) DC IN (Capacitance)
SHX-BT-4.2-SC	0.01-4.2	≤1.25	≤1.25	

NOMINAL IMPEDANCE: 50Ω

RF POWER: ≤5W

BIAS VOLTAGE: ≤72V

BIAS CURRENT: ≤1.0A

Notes:

1. Dimensions Tolerance ±2%